

Locate the original Bluetooth Module in the car

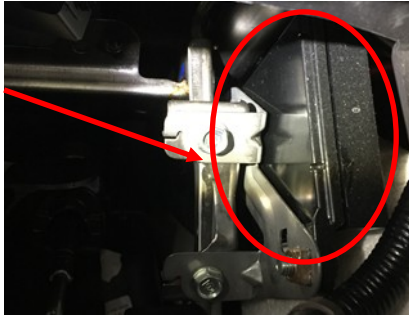
Civic - Located above the glovebox

CR-V - Located centre console by gearstick

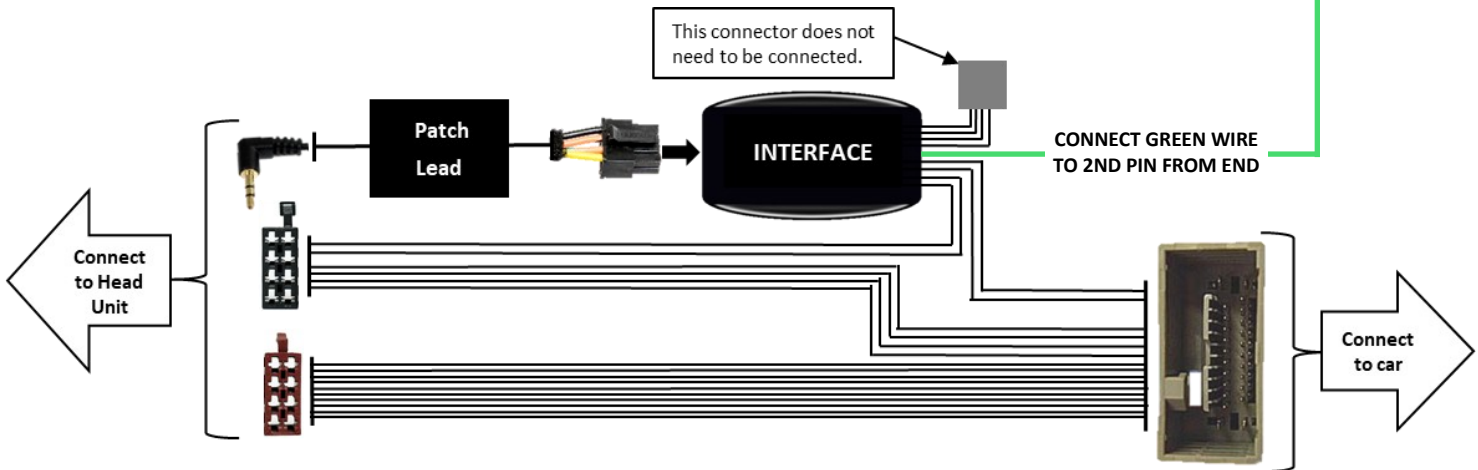
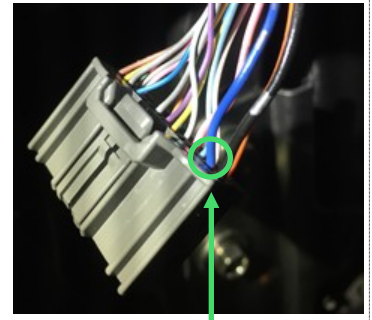
CR-Z - On left hand side (Behind Glove box)

Jazz - Located under the steering column cowling.

Disconnect the connector from the Bluetooth module and leave the module disconnected.



Connect the loose green wire from the 29-679 to the 2nd Pin from the end (**blue or green wire**) as shown in the image.

**Installation Instructions**

1. **Ensure your vehicle's ignition is off with the key removed.**
2. Remove the original Head Unit (radio) with reference to the manufacturer's instructions.
3. Assemble the Patch Lead (**SOLD SEPERATELY**) so that it is compatible with the Head Unit being installed.
4. Connect the patch lead to the Steering Control Interface (**Black box on 29-679 harness**). **THIS MUST BE DONE FIRST BEFORE ANY OTHER CONNECTIONS.**
5. Connect the 29-679 from the car to the new radio.
6. With reference to the diagram and description above, connect the green wire from the 29-679 interface to the 2nd pin (**Blue or Green wire**) on the Original Bluetooth module. Disconnect the cars original Bluetooth module.
7. Test the system fully ensuring all controls function before refitting the new Head Unit.

Troubleshooting

- Check that the correct patch lead has been used and links in the connector are in the correct place (Always disconnect from the power supply if you change the lead).