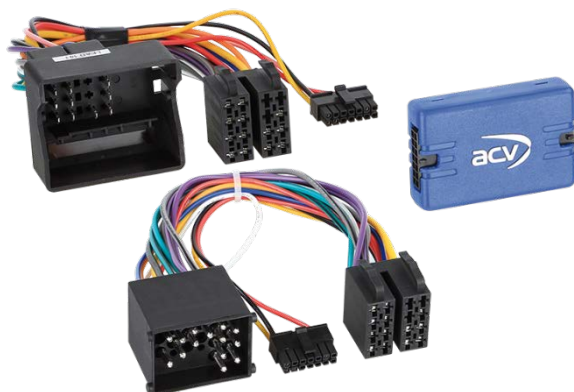


Artikelnummer / Part No.: 42sbm00c 42sbm00c-0



Lenkradfernbedienungsadapter / Stalk Adapter

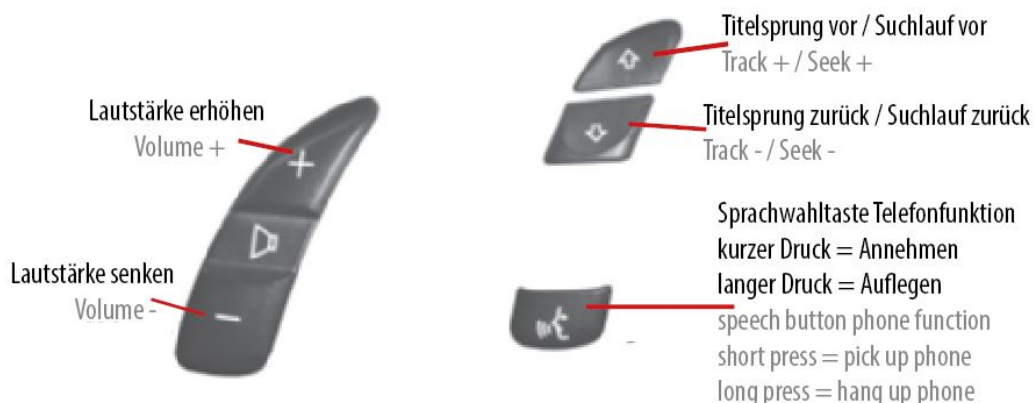


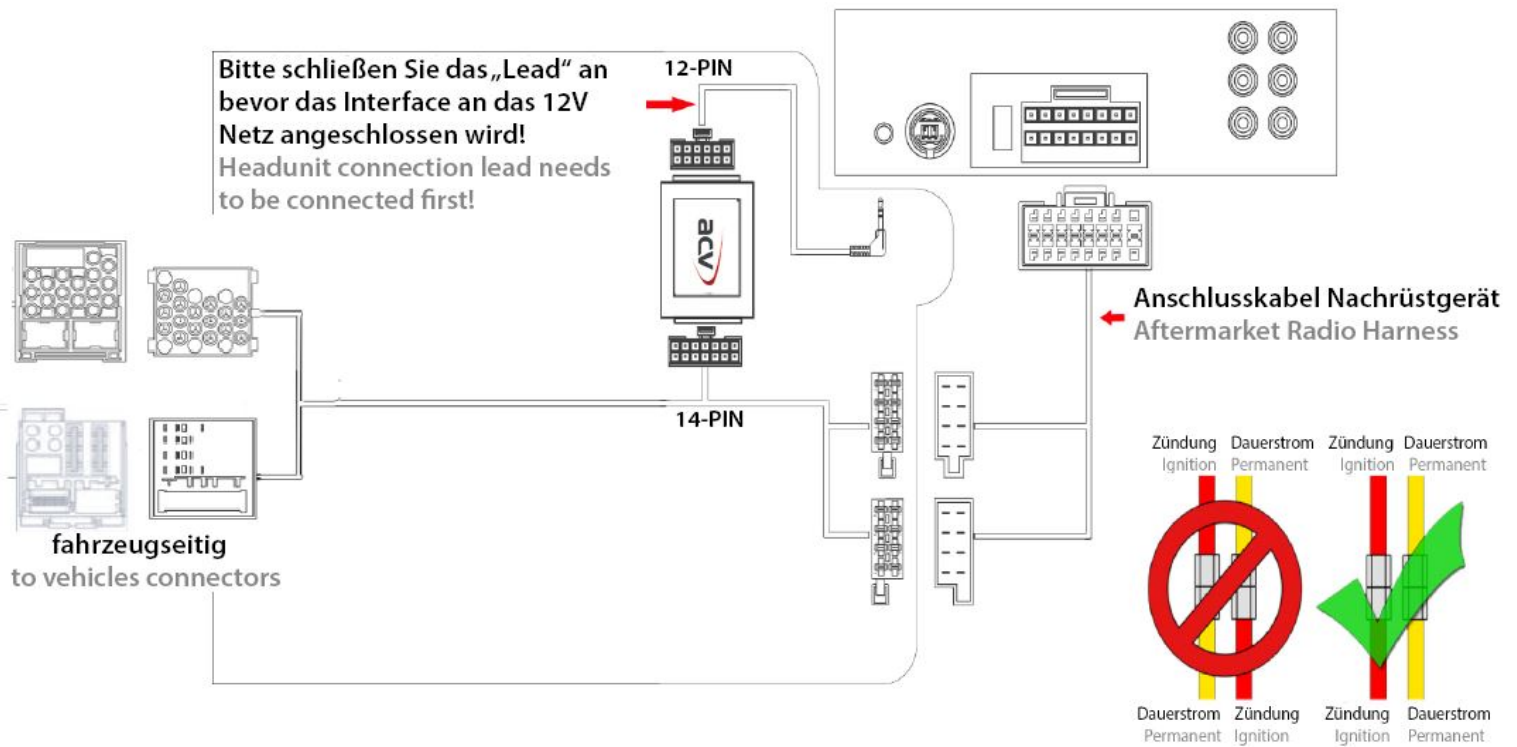
Fahrzeugkompatibilität / Vehicle Compatibility:

17-Pin Rund-Pin I-Bus-Fahrzeuge / 17 way Round Pin i-Bus vehicles

40-Pin-Quadlock I-Bus-Fahrzeuge / 40 way Quadlock i-Bus vehicles

| | | |
|------------------------------|-------|----------------|
| BMW 3er | (E46) | 1998 - 2007 |
| BMW 5er | (E39) | 1996 - 04/2004 |
| BMW X3 | (E83) | 2004 - 2010 |
| BMW X5 | (E53) | 1999 - 2006 |
| BMW Z4 | (E85) | 2002-2008 |
| Mini One / Cooper / Cooper S | | 2001 - 2006 |





Vorgehensweise / Procedure:

Bitte beachten Sie die Reihenfolge ! Please follow the sequence !

1. Demontieren Sie das vorhandene Radio / Demount the present radio
2. Stecken Sie das radiospezifische Kabel/Lead (12 Pin Microfit) in das ACV Modul und verbinden Sie das andere Ende mit dem Nachrüstradio: Dieses ist entweder als 3,5mm Klinkenstecker ausgeführt oder aber einfach als lose(s) Kabel mit offenen Enden. Bitte prüfen Sie zusätzlich die Anleitung Ihres Nachrüstradios um weitere Informationen zum Anschluss zu erhalten! Connect the radio specific lead (12 Pin microfit) to the ACV interface and link the other end to the retrofitting radio: This may be a 3.5mm jack plug or a wire input depending upon the head unit brand being fitted. Please see the head unit installation manual for further information on where to connect.
3. Schließen Sie den fahrzeugspezifischen Stecker des Kabelsatzes (z.B. Quadlock) an den Fahrzeugstecker / Connect the jack of the interface harness on vehicle side to the jack of the vehicle
4. Koppeln Sie den radioseitigen Stecker des Kabelsatzes (ISO) mit der ISO Buchse des Nachrüstradios / Link the jack of the interface harness on radio side (ISO) with the ISO socket of the retrofitting radio
5. Verbinden Sie den 14-Pin Microfit Stecker mit dem ACV Modul / Connect the 14-Pin microfit jack to the ACV interface

Beibehaltung der Telefontaste: Dieser Adapter ermöglicht es, auf die Funktion der Telefontaste zuzugreifen. Hierfür müssen jedoch folgende Bedingungen erfüllt sein:

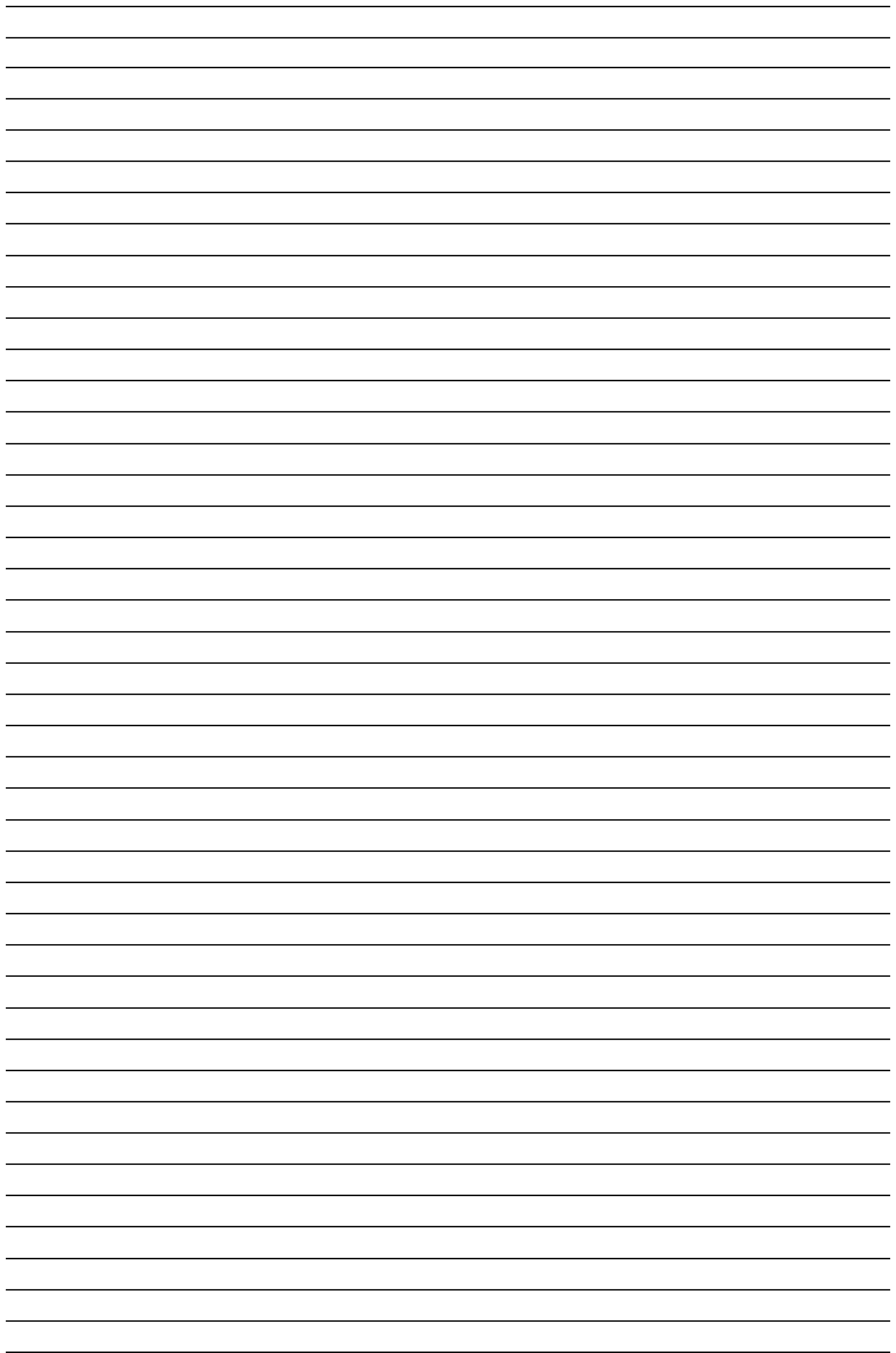
Das Nachrüstradio muss die Funktion der Telefonannahme unterstützen, dies ist nicht bei allen Modellen gegeben und muss demnach ausprobiert werden. Die Geräte der meisten Markenhersteller sowie chinesischen Fabrikate funktionieren häufig, aber nicht zwingend! Teils muss eine solche Funktion auch erst im Hauptmenü des jeweiligen Gerätes aktiviert werden. Bitte beachten sie die Bedienungsanleitung Ihrer nachgerüsteten Radioeinheit.

Die Telefonfunktion / ein Telefonmodul muss bereits im Fahrzeug vorhanden bzw. programmiert sein. War das Fahrzeug nicht bereits vorher schon ab Werk mit einem Telefonmodul ausgestattet, wird die Telefontaste voraussichtlich außer Funktion sein. In diesem Fall wenden Sie sich bitte an den Support.

Retaining the phone button: This interface supports the vehicle's phone buttons. To ensure proper phone button adaptation the following conditions must be fulfilled:

The aftermarket headunit must provide the telephone function. It can take a trial and error process to determine if the function is present. Most brand manufacturers and some Chinese manufacturers do work frequently, but not obligatory. Sometimes you must enable this function in the main menu of the respective device. Please refer to the manual of your aftermarket headunit.

The function needs to be implemented in the vehicle. In case that the vehicle is not equipped with an OEM hands-free module the phone button will be out of function. To enable the phone button, you need to address to the support.





Installation instructions for part 95-9313B

BMW 3-Series 1999-2005, 3-Series (coupe, convertible) 2006, M3 2001-2006 (for factory switch panel with one long opening) 95-9313B

KIT FEATURES

- ISO DDIN radio provision
- **Painted matte black**
- **Relocates the factory climate control and switches**
- **Parts included to modify the factory airbox**



KIT COMPONENTS

- A) Radio trim panel • B) Back up housing • C) Radio brackets • D) Climate and switch panel housing
- E) Airbox cover • F) Cutting template • G) Climate bracket • H) Actuator arm • I) (1) #6 x 1/2" Phillips screw
- J) (4) #8 x 1/2" Phillips screws • K) (2) #8 x 3/8" Phillips screws • L) (2) panel clips • M) Vent door

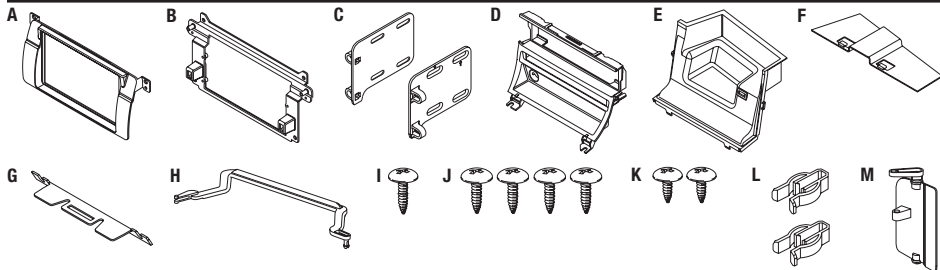


Table of Contents

Dash Disassembly 2-5
 Sub-dash airbox modifications..... 6-9
 Kit Assembly
 – ISO DDIN radio provision..... 10
 Climate and Switch Panel Assembly 11

WIRING & ANTENNA CONNECTIONS (sold separately)

Wiring Harness: • 70-8590 • 70-9003 (nav models 02-06)
 Antenna Adapter: • 40-VW10 40-EU10 (nav models 02-06)

TOOLS REQUIRED

- Panel removal tool • Phillips screwdriver • Pick tool

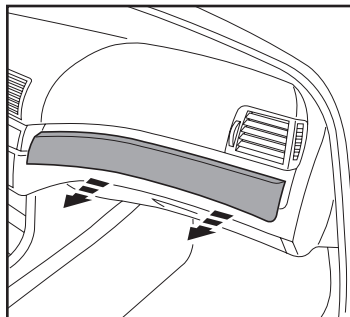
CAUTION! All accessories, switches, climate controls panels, and especially air bag indicator lights must be connected before cycling the ignition. Also, do not remove the factory radio with the key in the on position, or while the vehicle is running.

REV 1/25/2017 INST95-9313B

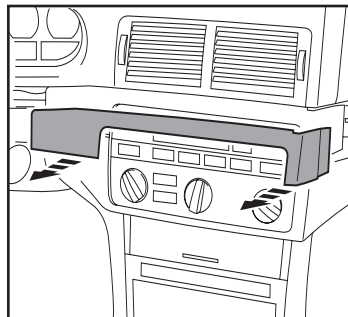
Dash Disassembly

1. Unclip and remove the trim panel above the glove box. (Figure A)
2. Unclip and remove the trim panel above the factory radio. (Figure B)
3. Remove (2) Phillips screws securing the radio and then unplug and remove the radio. (Figure C)

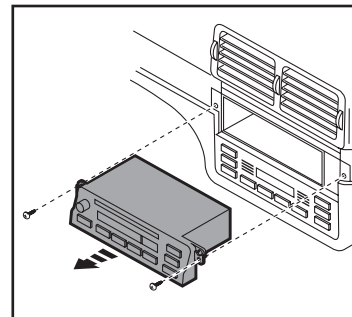
Continued on the next page



(Figure A)



(Figure B)

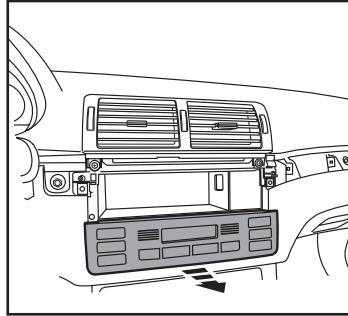


(Figure C)

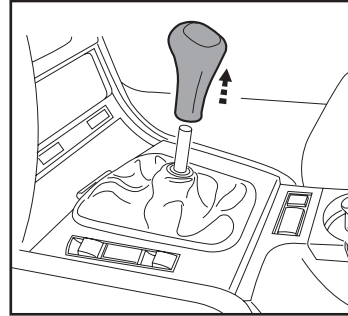
Dash Disassembly

4. Unsnap and remove the climate control panel. (Figure D)
5. Pull straight up on the shift knob to remove. (Figure E)
6. Unclip and remove the boot around the shift selector. (Figure F)

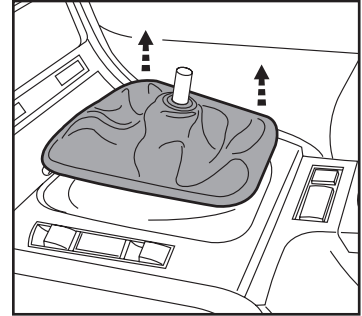
Continued on the next page



(Figure D)



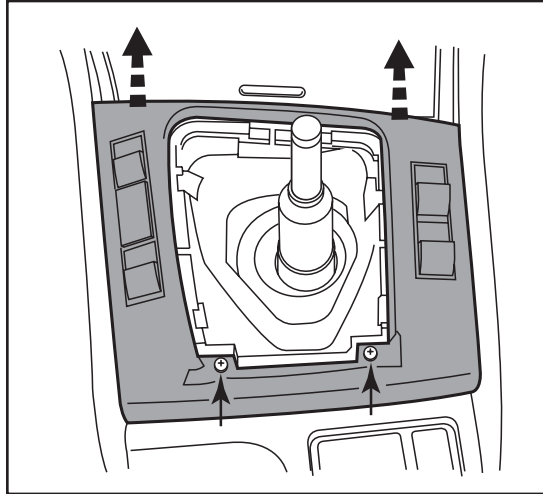
(Figure E)



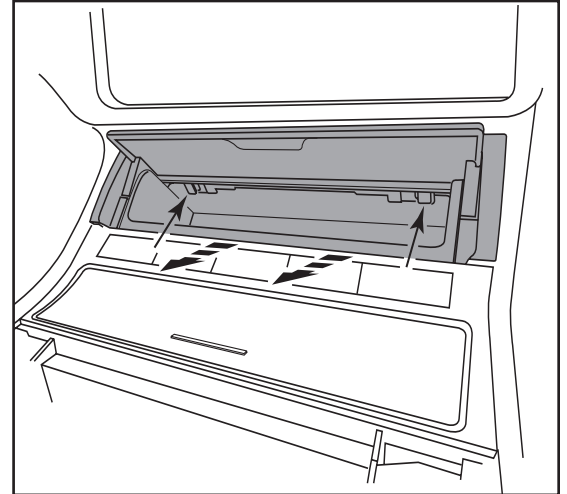
(Figure F)

Dash Disassembly

7. Remove (2) Phillips screws securing the shift selector trim panel, and then unclip and remove the panel. (Figure G)
8. Open the upper door on the lower switch panel. Using a pick tool, or something suitable, disengage (2) clips in the upper corners of the tray to remove the tray and door. (Figure H)



(Figure G)



(Figure H)

Dash Disassembly

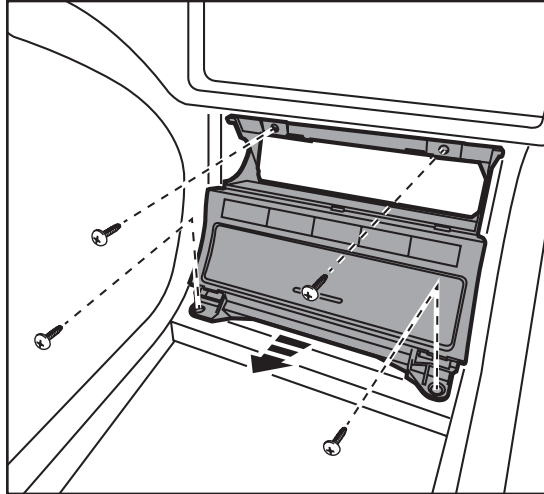
9. Remove (4) Phillips screws now exposed securing the lower switch panel, and then unplug and remove the panel. (Figure I)

Note: All of the switches will need to be removed and installed into the new switch panel provided.

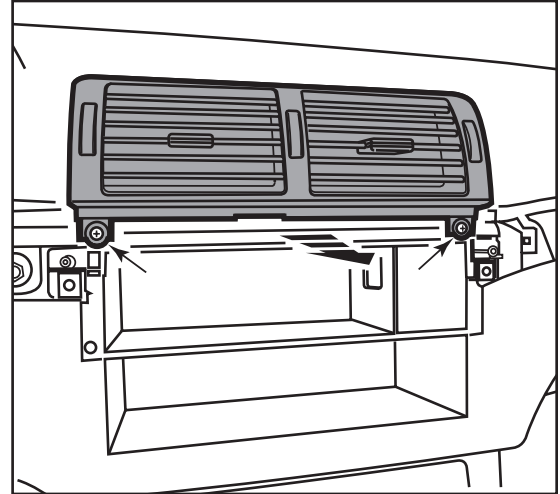
10. Remove (2) Phillips screws, and then unclip and move aside the vent assembly above the radio opening. It is not necessary to remove the assembly. But if desired, there will be a cable attached to the assembly that will need to be removed. (Figure J)

11. For non-NAV equipped cars, remove (2) Phillips screws securing the plastic radio/climate housing from the radio/climate cavity, and then remove.

Continue to kit assembly



(Figure I)



(Figure J)

Sub-dash airbox modifications

1. Remove (4) metal retaining clips holding the air box front panel in place and remove the panel.

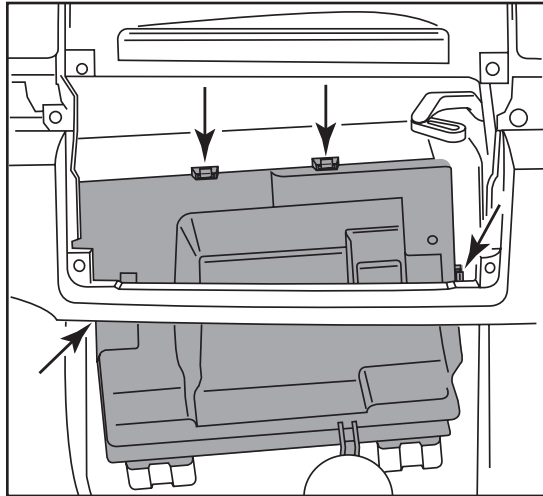
Note: One of the retaining clips will be reused in step 7.

(Figure A)

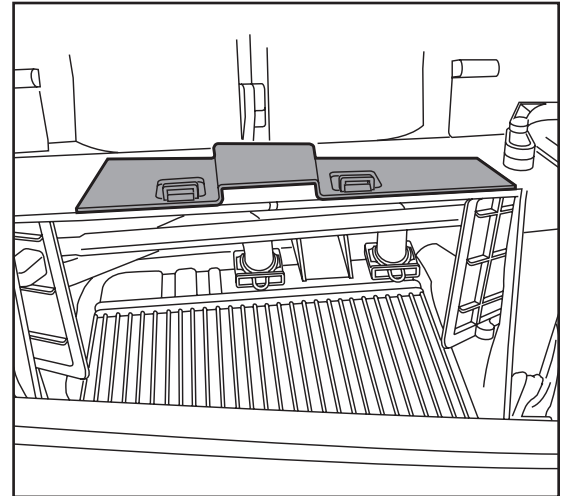
2. Clip the *cutting template* over the top edge of the air box, mark for cutting, remove the template, then and cut the marked area.

(Figure B)

Continued on the next page



(Figure A)



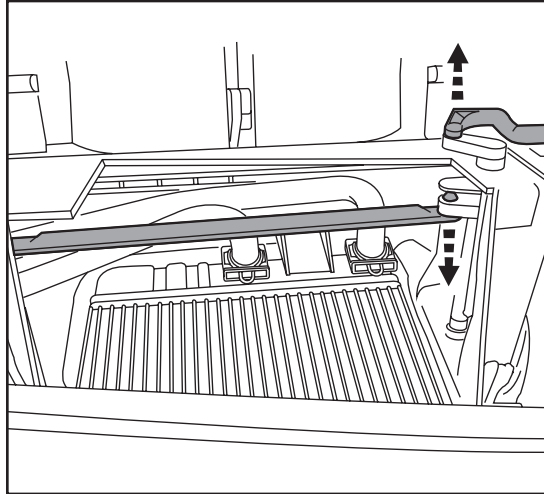
(Figure B)

Sub-dash airbox modifications

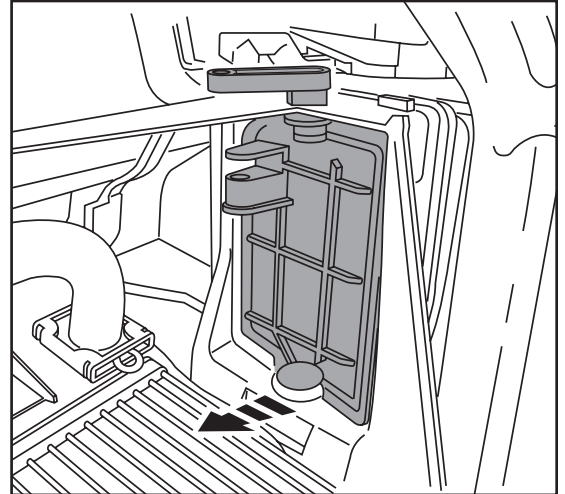
3. Remove the upper actuator arm from the passenger vent door. Remove the lower actuator arm from the vent doors. Unclip the passenger side first and then the drivers side. (Figure C)
4. Remove the passenger side vent door. Unclip from the bottom, then push and rotate the top clip out of the slot in the airbox. (Figure D)

Note: Remember the orientation of the vent door arm (approx. 11:00) when removing to ease in reinstallation.

Continued on the next page



(Figure C)

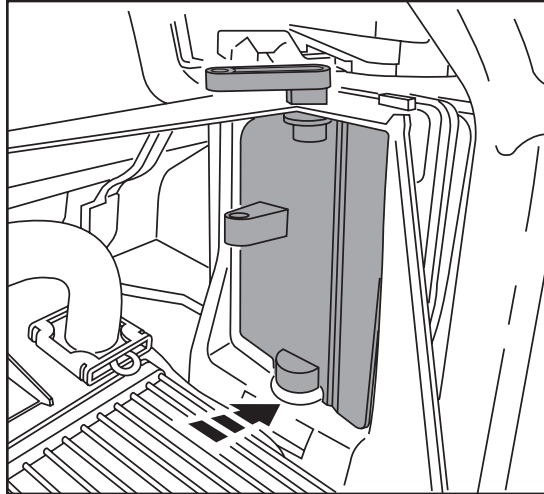


(Figure D)

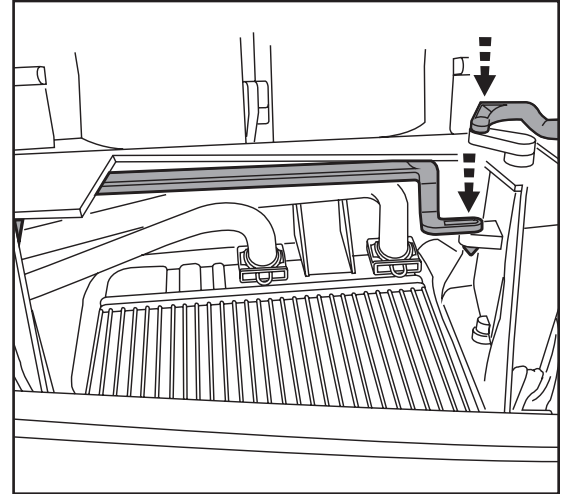
Sub-dash airbox modifications

5. Replace the factory passenger side vent door with the supplied *vent door*. Rotate the *vent door* into the upper slot and clip into the lower socket. (Figure E)
6. Replace the factory actuator arm with the supplied *actuator arm*. Clip the drivers side in first and then the passenger side. Reconnect the upper actuator arm to the passenger vent door. (Figure F)

Continued on the next page



(Figure E)

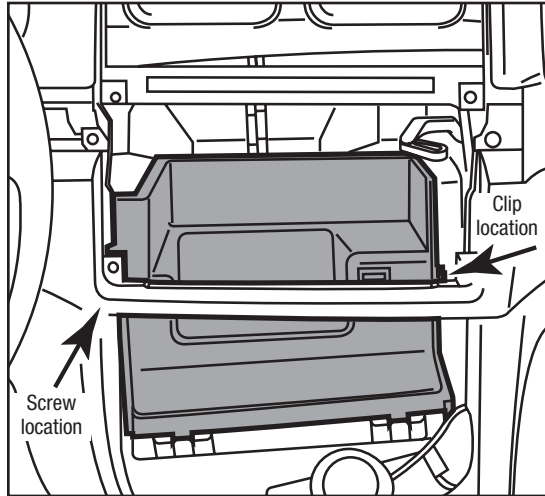


(Figure F)

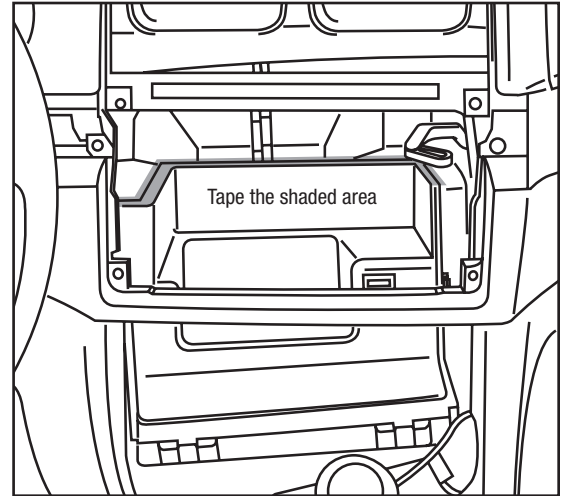
Sub-dash airbox modifications

7. Set the *air box cover* into place and secure the right side with the metal retaining clip removed in step 1. Secure the left side with the (1) #6 x 1/2" Phillips screw supplied. (Figure G)
8. Metra recommends using tape along the upper edge of the *air box cover* where the cut was made. Duct tape or A/C aluminum tape is suggested. (Figure H)

Continue to kit assembly



(Figure G)

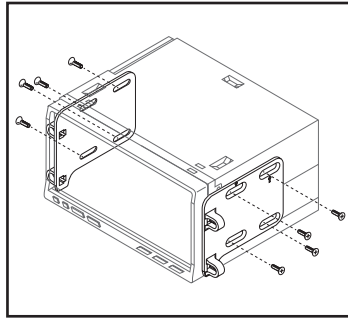


(Figure H)

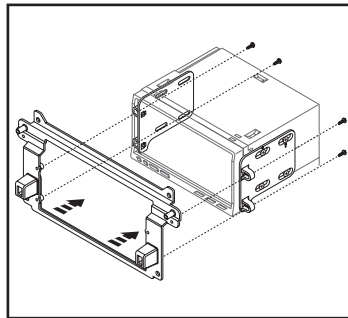
Kit Assembly

1. Attach the *radio brackets* to the radio using the screws supplied with the radio. (Figure A)
2. Attach the *back-up housing* to the radio/bracket assembly with the (4) #8 x 1/2" Phillips screws supplied. (Figure B)
3. Locate the factory wiring harness and antenna connector in the dash, and complete all necessary connections to the radio and climate control panel. Metra recommends using the proper mating adapter from Metra and/or AXCESS. Test the radio for proper operation.

Note: After all testing has been performed, disconnect the climate control panel, relocate the harness to the lower switch panel area, and then proceed to the next step.



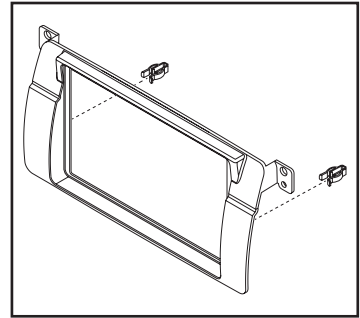
(Figure A)



(Figure B)

4. Secure the completed assembly into the radio/climate cavity using the (2) #8 x 3/8 inch screws supplied.
5. Secure the vent assembly to the vehicle using the (2) factory Phillips screws removed in step 10 of dash disassembly.
6. Attach (2) *panel clips* provided with the kit onto the *radio trim panel* (Figure C), and then attach the panel to the radio assembly. Secure the assembly to the vehicle using the (2) factory Phillips screws removed in step 3 of dash disassembly.

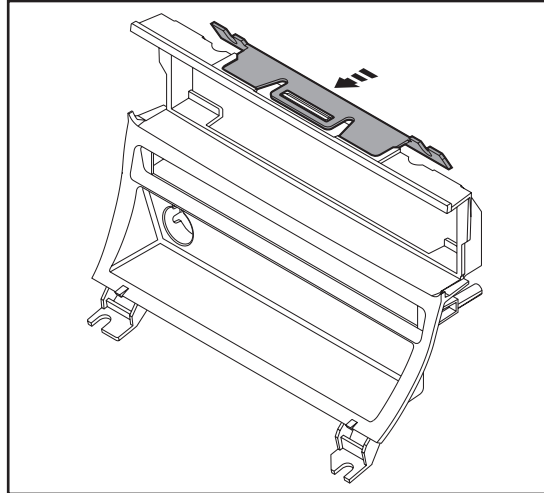
Continue to climate and switch panel assembly



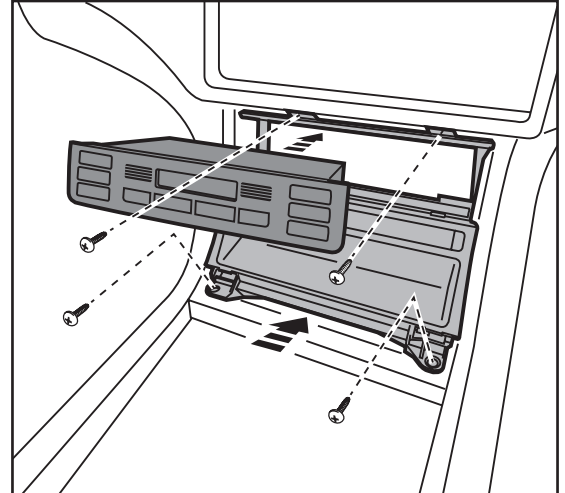
(Figure C)

Climate and switch panel assembly

1. Secure the *climate bracket* onto the top of the *climate and switch panel housing*. (Figure A)
2. Secure the *climate and switch panel housing* into the lower dash opening with the (4) factory screws removed in step 9 of dash disassembly. (Figure B)
3. Connect all electrical connectors to the climate control panel and then snap the panel into the housing. (Figure B)
4. Reassemble the dash in reverse order of disassembly.



(Figure A)



(Figure B)



Installation instructions for part 95-9313B



REV 1/25/2017 INST95-9313B

IMPORTANT

If you are having difficulties with the installation of this product, please call our Tech Support line at 1-800-253-TECH. Before doing so, look over the instructions a second time, and make sure the installation was performed exactly as the instructions are stated. Please have the vehicle apart and ready to perform troubleshooting steps before calling.



KNOWLEDGE IS POWER

Enhance your installation and fabrication skills by enrolling in the most recognized and respected mobile electronics school in our industry. Log onto www.installerinstitute.com or call 800-354-6782 for more information and take steps toward a better tomorrow.



Metra recommends MECP certified technicians