



The Sound That Will Move You.

# TremorX Installation & Reference Manual

## **TremorX**

TremorX10-4/10-8

TremorX12-4/12-8

TremorX15-4/15-8



[www.earthquakesound.com](http://www.earthquakesound.com)

Earthquake Sound Corporation • 2727 McCone Avenue Hayward, CA 94545 • Ph: (510) 732-1000 Fax (510) 732-1095

# Earthquake, TremorX

Dear Valued Customer,

Earthquake Sound Corporation, located in Hayward California at the heart of the San Francisco Bay Area; specializes in manufacturing high end car audio products ranging from the smallest titanium tweeter to the world's largest amplifier. In its dedication to excellence, Earthquake has maintained extensive programs in research and development to provide you with the highest quality mobile audio products.

This owners manual is designed to better acquaint you with Earthquake products and to guide you through all phases of system design and application. It is imperative that you read this manual in its entirety. Earthquake technicians and staff are looking forward to answering any questions you might have.

## TREMORX 4 & 8 OHM SUBWOOFER SPECIFICATIONS

DRIVER:	TREMORX10-4	TREMORX10-8	TREMORX12-4	TREMORX12-8	TREMORX15-4	TREMORX15-8
Free Air Resonance (Fo)	33.701 Hz	28 Hz	51.225 Hz	27 Hz	28.815Hz	26 Hz
Electrical "Q" (Qes)	0.642	0.5582	1.034	0.493	0.890	0.462
Mechanical "Q" (Qms)	3.101	4.6012	2.127	5.3508	2.657	6.774
Total Speaker "Q" (Qts)	0.532	0.4978	0.696	0.6359	0.667	0.433
One way linear excursion	1in. / 25.4 mm	1in. / 25.4 mm	1.1 in. / 27.94 mm	1.1 in. / 27.94 mm	1.2 in. / 30.48 mm	1.2 in. / 30.48 mm
Effective Piston Area (Sd)	53.522 sq. in. 0.0345 sq. m.	53.522 sq. in. 0.0345 sq. m.	81.392 sq. in. 0.0525 sq. m.	81.392 sq. in. 0.0525 sq. m.	105.774 sq. in. 0.0682 sq. m.	105.774 sq. in. 0.0682 sq. m.
Efficiency (1W/1M)	83.8 dB SPL	84.67 dB SPL	84.8 dB SPL	86.80 dB SPL	86.3 dB SPL	90 dB SPL
REVC	4.000 Ohm	4.000 Ohm	3.800 Ohm	6.67 Ohm	3.700 Ohm	5.98 Ohm
BL	13.231TM	16.23TM	17.302TM	17.01TM	15.910TM	12.03TM
VAS	2.1 Ft3	1.30 Ft3	4.1 Ft3	3.539 cu. ft. 100.15 liters	4.90 ft3	9.1 ft3
Nominal Impedance	4-Ohm	8-Ohm	4-Ohm	8-Ohm	4-Ohm	8-Ohm
Power Handling	1000 Max	1000 Max	1250 Max	1250 Max	1500 Max	1500 Max

**CAUTION:** Earthquake Audio products are capable of producing over 140dB and are commonly used for high powered audio systems. Prolonged exposure to SPL levels of over 100dB will cause permanent hearing damage. We at Earthquake ask you to please exercise extreme caution when using our product for competition or every day use.

PARALLEL WIRING

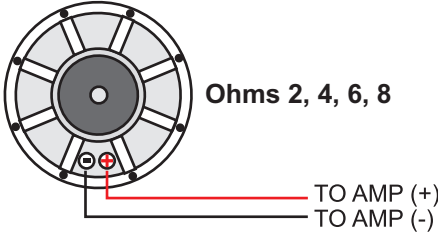
According to Ohm laws, when speakers are wired in parallel. The formula is:  

$$\frac{1}{R} = \frac{1}{R1} + \frac{1}{R2} + \frac{1}{R3} + \dots + \frac{1}{Rn}$$
 Where R= Total system impedance

Series formula:  

$$Rt = R1 + R2 + R3 + \dots$$
 Where Rt= Resistance seen by amplifier

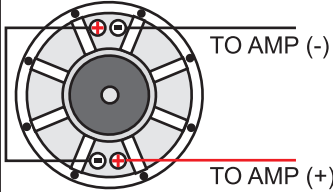
Example for series connection



Ohms 2, 4, 6, 8

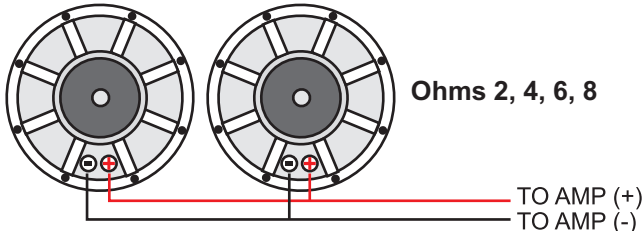
TO AMP (+)  
TO AMP (-)

If using SINGLE 2 OHM coils the total load would be 2.0 ohm  
 If using SINGLE 4 OHM coils the total load would be 4.0 ohm  
 If using SINGLE 6 OHM coils the total load would be 6.0 ohm  
 If using SINGLE 8 OHM coils the total load would be 8.0 ohm



TO AMP (-)  
TO AMP (+)

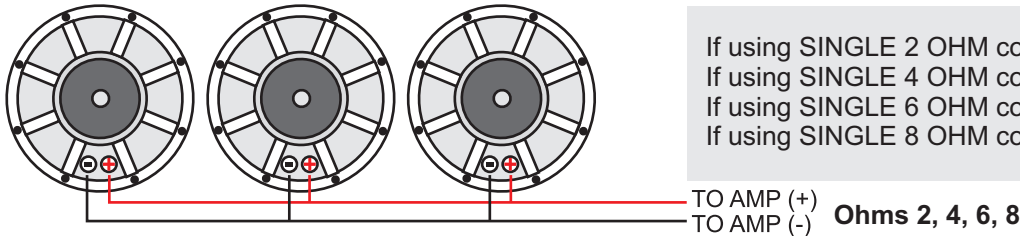
For this example for all other series applications.



Ohms 2, 4, 6, 8

TO AMP (+)  
TO AMP (-)

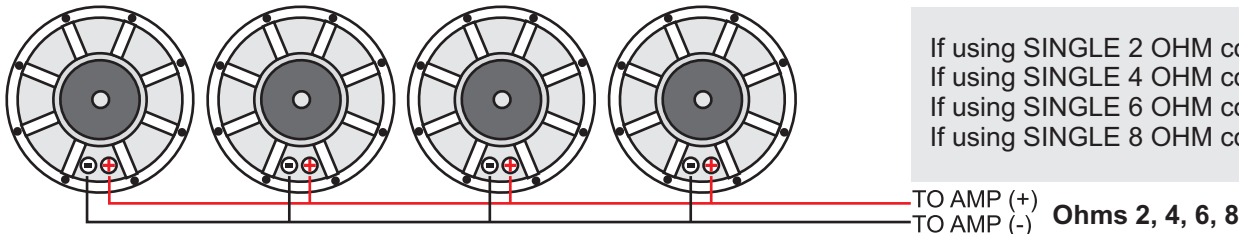
If using SINGLE 2 OHM coils the total load would be 1.0 ohm  
 If using SINGLE 4 OHM coils the total load would be 2.0 ohm  
 If using SINGLE 6 OHM coils the total load would be 3.0 ohm  
 If using SINGLE 8 OHM coils the total load would be 4.0 ohm



Ohms 2, 4, 6, 8

TO AMP (+)  
TO AMP (-)

If using SINGLE 2 OHM coils the total load would be .66 ohm  
 If using SINGLE 4 OHM coils the total load would be 1.3 ohm  
 If using SINGLE 6 OHM coils the total load would be 2 ohm  
 If using SINGLE 8 OHM coils the total load would be 2.7 ohm

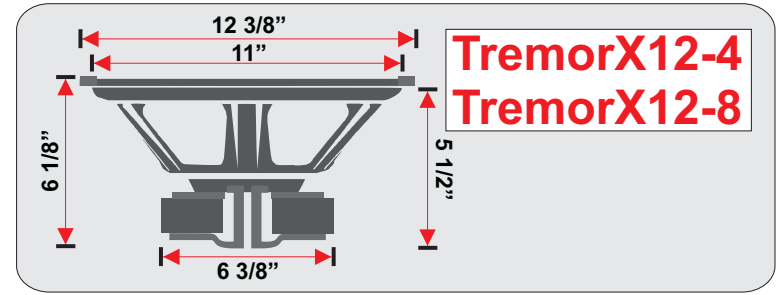
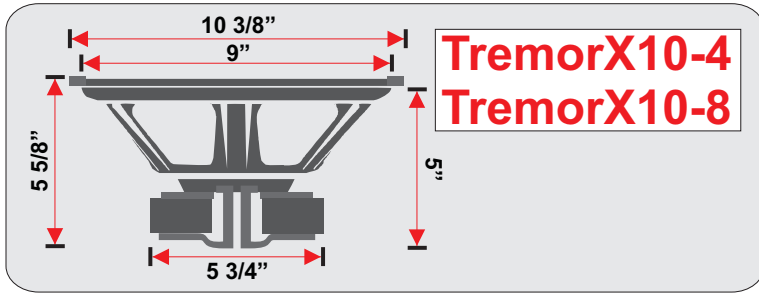


Ohms 2, 4, 6, 8

TO AMP (+)  
TO AMP (-)

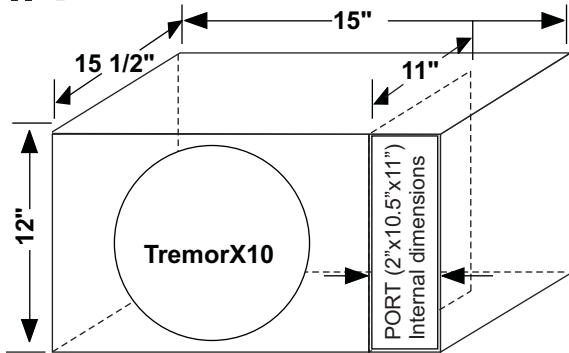
If using SINGLE 2 OHM coils the total load would be 0.5 ohm  
 If using SINGLE 4 OHM coils the total load would be 1.0 ohm  
 If using SINGLE 6 OHM coils the total load would be 1.5 ohm  
 If using SINGLE 8 OHM coils the total load would be 2 ohm

# TREMORX ENCLOSURE DESIGNS

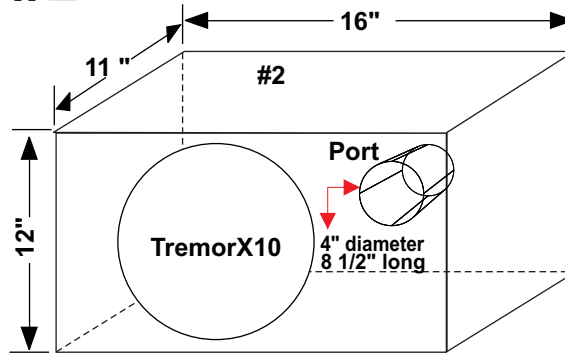


Dimensions shown are external Dimensions using 3/4" MDF.

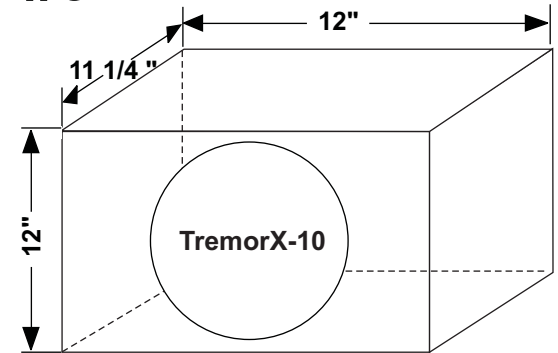
**#1** Bass head design for competition



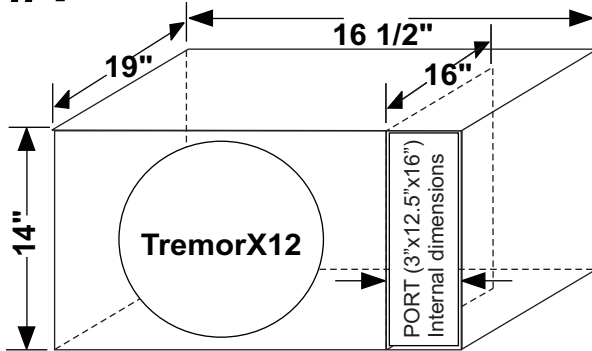
**#2** Port tuned design for deep bass



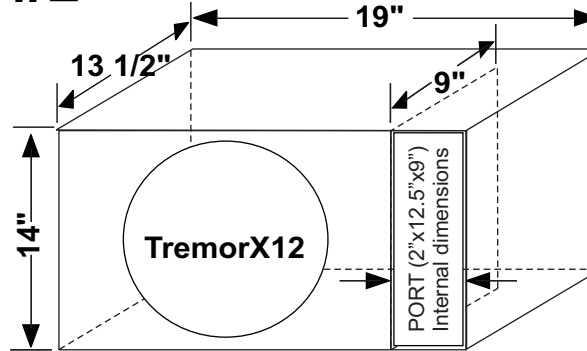
**#3** Sealed design for tight bass



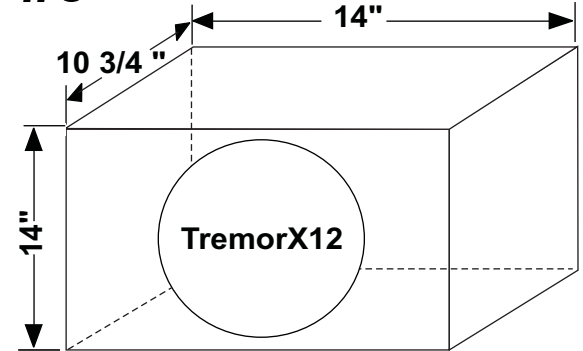
**#1** Bass head design for competition



**#2** Port tuned design for deep bass

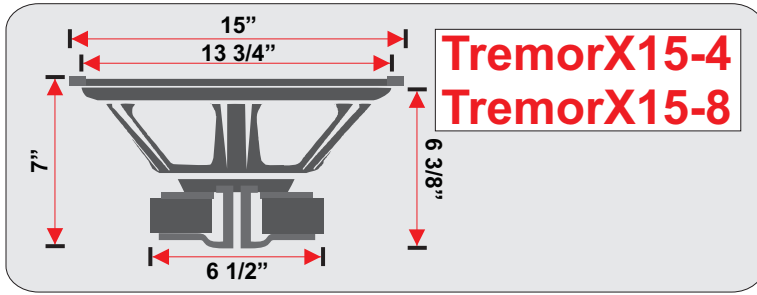


**#3** Sealed design for tight bass



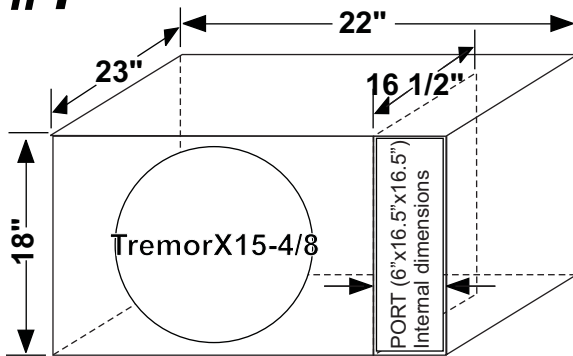
Specifications are subject to change without notice.

# TREMORX ENCLOSURE DESIGNS

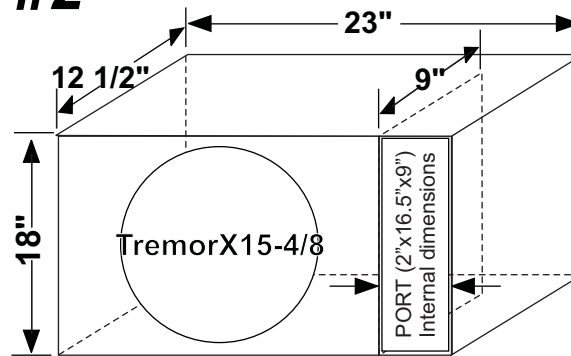


Dimensions shown are external Dimensions using 3/4" MDF.

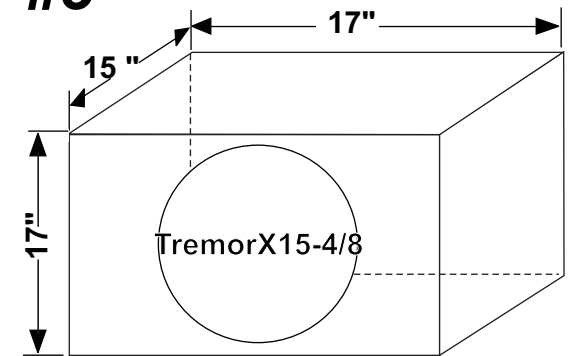
**#1** Bass head design for competition



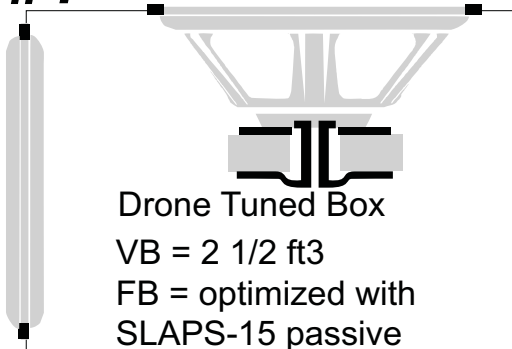
**#2** Port tuned design for deep bass



**#3** Sealed design for tight bass



**#4** Passive tuned design for deep bass small volume



Specifications are subject to change without notice.

# EARTHQUAKE SOUND 5-YEAR LIMITED WARRANTY

## Five (5) year limited warranty

Earthquake warrants the original purchaser that all Factory Sealed New Audio Products to be free from defects in material and workmanship under normal and proper use for a period of five (5) years from the date of purchase (as shown on the original bill of sale with serial number affixed/written on it). The five (5) year warranty period is valid only if an authorized Earthquake dealer properly installs the product and the warranty registration card is properly filled out and sent to Earthquake Sound Corporation. If a non-authorized party installs the product, a ninety (90) day warranty period will be applied.

### **(A) Five (5) years limited warranty plan coverage guidelines:**

- **First year:** Earthquake pays for labor, parts, and ground freight (only in US mainland, not including Alaska and Hawaii) (shipping to us is not covered).
- **Second year:** Earthquake pays for labor and parts only, customer must pay freight both ways.
- **Third, fourth & fifth year:** Earthquake pays labor only. Customer must pay for parts and freight both ways.

### **(B) Warning:**

Products (sent for repair) that are tested by Earthquake technicians and deemed to have no problem(s) will not be covered by the five (5) year limited warranty. Customer will be charged a minimum of one (1) hour of labor (at the ongoing rates) plus shipping charges back to customer.

### **(C) Earthquake will repair or replace - at our option - all defective products/parts subject to the following provisions:**

- Defective products/parts have not been altered or repaired by other than an Earthquake factory-approved technician.
- Products/parts are not subjected to negligence, misuse, improper use or accident, damaged by improper line voltage, used with incompatible products or have its serial number or any part of it altered, defaced or removed, or have been used in any way that is contrary to Earthquake's written instructions.

### **(D) Warranty Limitations:**

Warranty does not cover products that have been modified or abused, including but not limited to the following:

- Damages to speaker cabinet and cabinet finish due to misuse, abuse or improper use of cleaning materials/methods.
- Bent speaker frame, broken speaker connectors, holes in speaker cone,

surround & dust cap, burnt speaker voice coil.

- Fading and or deterioration of speaker components & finish due to improper exposure to elements.
- Bent amplifier casing, damaged finish on the casing due to abuse, misuse or improper use of cleaning material.
- Burnt tracers on PCB.
- Product/part damaged due to poor packaging or abusive shipping conditions.
- Subsequent damage to other products.

**A** warranty claim will not be valid if the warranty registration card is not properly filled & returned to Earthquake with a copy of the sales invoice. Warranty card is located on the last page of this manual.

### **(E) Service Request:**

To receive product service, contact Earthquake service department at (510) 732-1000 and request an RMA number (Return Material Authorization). Items shipped without a valid RMA number will be refused. Make sure you provide us with your complete/correct shipping address, a valid phone number, and a brief description of the problem you are experiencing with the product. In most cases, our technicians might be able to resolve the problem over the phone; thus, eliminating the need to ship the product.

### **(F) Shipping Instructions:**

Product(s) must be packaged in its original protective box(es) to minimize transport damage. Shipper claims regarding items damaged in transit must be presented to carrier. Earthquake Sound Corporation reserves the right to refuse improperly packed product. Original bill of sale must accompany product returned for service. We encourage you to include with the package a written description of the problem. Ship product to: Earthquake Sound Corp. 2727 Mc Cone Avenue, Hayward, CA 94545. Ph (510) 732-1000. You are responsible for the cost of shipping the product to Earthquake Sound Corporation.

### **(G) Disputes Resolution:**

All disputes - between clients and Earthquake Sound Corporation - resulting from the five (5) years limited warranty policy must be resolved according to the laws & regulations of the county of Alameda -California.

## PRODUCT REGISTRATION

Your subwoofer(s) be registered by returning the Product Registration card attached to this manual or by visiting [www.earthquakesound.com/product-registration](http://www.earthquakesound.com/product-registration). Please also retain the bill of sale, which represents proof of purchase and helps expedite warranty issues.

We recommend that you place or write your serial number here for future reference, if necessary.

SERIAL NUMBER

**EARTHQUAKE SOUND PRODUCT WARRANTY CARD**

**REQUIRED INFO = \***

\*FIRST NAME: \_\_\_\_\_

\*LAST NAME: \_\_\_\_\_

\*STREET ADDRESS: \_\_\_\_\_

\_\_\_\_\_

\*CITY: \_\_\_\_\_ \*STATE: \_\_\_\_\_ \*ZIP: \_\_\_\_\_

\*PHONE: (\_\_\_\_) \_\_\_\_ - \_\_\_\_\_

\*DATE OF PURCHASE: \_\_\_\_\_ \*PURCHASE PRICE: \_\_\_\_\_

\*MODEL NUMBER: \_\_\_\_\_

\*SERIAL NUMBER: \_\_\_\_\_

***Apply Serial Number Here***

\*AUTHORIZED / DEALER NAME: \_\_\_\_\_

\*DEALER ADDRESS: \_\_\_\_\_

\_\_\_\_\_

\*CITY: \_\_\_\_\_ \*STATE: \_\_\_\_\_ \*ZIP: \_\_\_\_\_

\*PHONE: (\_\_\_\_) \_\_\_\_ - \_\_\_\_\_ \*FAX: (\_\_\_\_) \_\_\_\_ - \_\_\_\_\_

\*SIGNATURE: \_\_\_\_\_ \*DATE: \_\_\_\_\_

YOUR COMMENTS: \_\_\_\_\_

\_\_\_\_\_

\_\_\_\_\_

HOW DID YOU LEARN ABOUT US?

MAGAZINE: \_\_\_\_\_

INTERNET: \_\_\_\_\_

WORD of MOUTH: \_\_\_\_\_

OTHER: \_\_\_\_\_

Note: Please make a copy of your warranty guidelines and card.

Earthquake Sound reserves the right to amend details of the specifications without notice.

Copyright © Earthquake Sound Corporation

Earthquake Sound Corporation • 2727 McCone Avenue Hayward CA, 94545 • Phone: 510-732-1000 Fax: 510-732-1095



From: \_\_\_\_\_  
\_\_\_\_\_  
\_\_\_\_\_

Postage  
Stamp



The Sound That Will Move You.

Earthquake Sound Corporation.  
2727 McCone Ave, Hayward, CA 94545.  
[www.earthquakesound.com](http://www.earthquakesound.com)