

X2 450.4

FULL-RANGE CLASS D AMPLIFIER

OWNER'S MANUAL

Table of Contents

Topic	Page
Introduction	2
Finding a Suitable Location	2
Supplying Power	2
The Ground Connection	2
Running Cables	2
Class D Amplifier Recommendations	3
Diagnostic Fault Codes	3
Speaker Level Input Pigtails	3
Input Section	4
Gain / Sensitivity Controls	4
Crossover Controls	4
Bass Boost	4
Load Impedance	5
Speaker Output Connections	5
Auto-Sense Turn-On Detection	5
Input Select Switch	6
Power, Ground and Turn On Connections	6
Fuses	6
Accessing Controls and Mounting Provisions	6
Installation Instructions	7
Stereo 4-Channel High-Pass	8
Stereo HP with Mono Subwoofer	9
Four-Channel HP and BP	10
Stereo Full-Range 2-Ch Bridged	11
Specifications	12
Warranty	12

Thank you for purchasing an ARC Audio High-Performance Amplifier!

This ARC Audio amplifier uses a Full Range Class D architecture that significantly improves efficiency, lowers heat generation and reduces current consumption. Don't be fooled by the small size. Class D amplifiers make more power per square inch than traditional designs. This compact size makes installation a breeze without compromising storage space.

ARC Audio...**SOLID CONSTRUCTION for SOUND Car Audio Systems.**

Warning!!

We build all ARC Audio products to play at high volumes for extended periods of time. Your ears however are not designed for extended listening at high volume levels. This product can easily generate volume levels that can permanently damage your hearing. We urge you to limit your exposure to very high volume sound.

You may also find your state has laws governing the volume of an audio system in a car. Please be aware of all local and state laws in your area.

A properly tuned and operated audio system will deliver years of enjoyment when used properly.

Installation Instructions

ARC Audio X2 Amplifiers are designed for easy installation in your vehicle. To ensure the proper operation of your new purchase, please follow the suggestions we have listed below:

Warning

Please check the suitability of the installation location before you begin. Do not cut any of the car's structure. Pay close attention to what is behind the panels or carpet. Often, vehicle manufacturers will hide wires, fluid lines, computers or other electronic devices in the exact area you want to mount and amplifier or drill a hole to run a wire.

If you do not have experience with automotive electrical and mechanical systems contact a professional installer. Paying for a qualified installer is almost always cheaper than paying a dealership to repair your car.

Locating the Amplifier

The amplifiers must be securely mounted to a solid surface. Please select a dry location in the trunk or passenger compartment only. Do not mount the amplifier to any area that may experience excessive vibration (like side of a subwoofer enclosure). Position the amplifier in an area that receives sufficient airflow for proper cooling.

Supplying Enough Power - The Laws of Physics

Your amplifier Does NOT make power. It converts power, from your vehicles electrical system and turns it into high-power musical energy. If the amp can't get the power it needs from your alternator and battery, it will not be able to produce its full output. Your ARC Audio amplifier will produce full output for longer than other amps on the market today. If the Voltage or Current drops too low, even our amplifiers will drop below their rated output. Make sure your vehicle charging system is in good working order. Any high-performance audio amplifier will increase the demand on your alternator and battery. If you are unsure of the condition of electrical system, have your charging system tested by a professional technician.

The Ground Connection!!! Warning: Read this Carefully

The ground connection is as important as the power connection in terms of supplying power to your amplifier. If you are working on a late-model vehicle, it may be necessary to ground your amplifier directly to the chassis of the vehicle AND run a parallel ground wire to the negative terminal of your battery. Modern vehicles make extensive use of adhesives to join panels together. These adhesives don't conduct electricity.

When connecting the ground wire to the chassis, find a clear and safe location close to the amplifier, and remove all the paint and sound deadening. Use a large nut and bolt to secure the ground wire. Never use seat belt bolts for grounding.

Remember, the ground must carry the same high current as the positive power wire.

To reduce the risk of noise, run all signal cables away from any vehicle or power supply wiring.

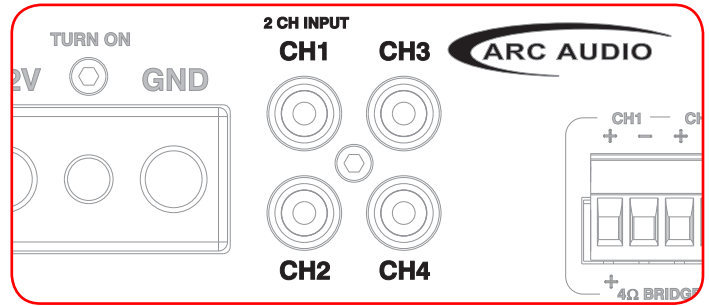
Running the Cables

Take care when running the power and signal cables through the passenger compartment of the vehicle. Running power down one side and signal down the other is the preferred method. If this isn't possible, keep them as far apart as possible. When running through any metal, always use a rubber or plastic grommet to prevent the power wire from shorting and to reduce the risk of fire. A 4 AWG or larger wire should be used for power and ground connections.

ALWAYS install a fuse on the power wire as close to the positive battery terminal as possible - preferably within 6 inches.

Input Section

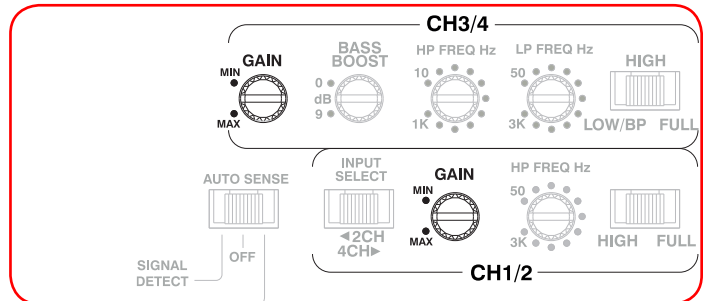
This X2-Series amplifier is equipped with a balanced differential input stage that is compatible with any analogue source including Balanced and Unbalanced RCA, Common ground speaker level output and Bridged Tied Load (BTL) outputs common to many OEM head units. The RCA pigtailed outputs common to many OEM head units. The RCA pigtailed outputs included with these amplifiers are intended to be used with the speaker-level outputs of a radio or amplifier. These pigtailed outputs include a divider network molded into the RCA end that reduces the voltage of the signal from the source. If you re-integrating into an OEM system with balanced or common ground line-level signals you should not use these Pigtailed outputs. In this case it is recommended that you use an appropriate RCA cable with one set of ends removed as inputs for the amplifier.



Gain / Sensitivity Control

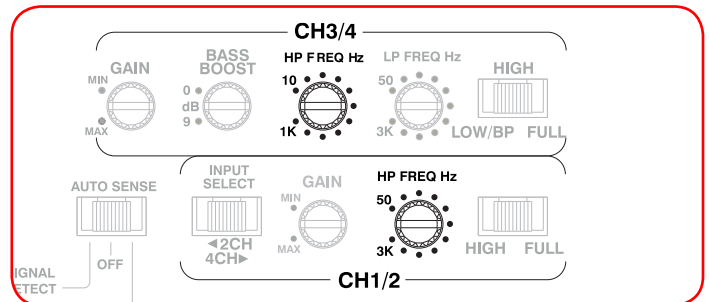
Because of the wide range of head unit output configurations available, all ARC Audio amplifiers have an adjustable input sensitivity or "Gain" control. The gain is not a volume or a power limiting control like a throttle. It makes the amp more sensitive to input from the source. With the gain up the amp will reach full output at a lower volume setting on the deck and becomes more sensitive to noise from the car's electrical system. Try to run the gain at the lowest setting possible for your system.

There is no correct gain setting. As different size and shape speakers require different amounts of power to reach the same output, the gain settings need to be adjusted to compensate for these speaker efficiency differences. If you tried to set all the gains at half way you would probably find the system didn't sound very good. Use good judgment and optimize each channel carefully as you configure the system. You want to set the gains to maximize the output of the amplifier, while producing minimal distortion for your given source unit and music selection.



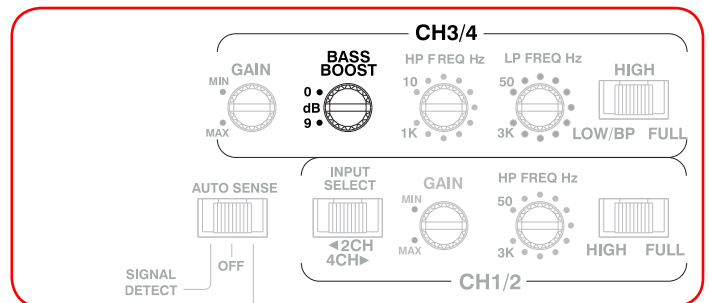
Crossover Controls

A crossover is a circuit that limits what frequencies are produced by the amplifier, and subsequently, the speaker(s) connected to the amp. A tweeter can be destroyed by bass information. Those frequencies need to be filtered for proper operation. Likewise, a subwoofer will not sound natural if it is playing midrange frequencies. A crossover removes these sounds from the signal going to the speaker. As you might guess, careful adjustment is required to ensure that all the speakers are playing in the correct frequency range and that the net frequency response of the total system is smooth with no over- or under-lap.



Bass Boost

This amp has an adjustable Bass Boost acts like a single-band equalizer on channels 3 and 4. When designing your audio system, if you plan to use Bass Boost (Example: Running a Subwoofer), connect that speaker to channels 3 and 4. Begin your adjustments at a low volume. If you do not hear any improvement, then the woofer does not need any boost. Use the Bass Boost control carefully. Increasing low-frequency output puts tremendous demands on the speaker and amplifier. Where possible, try to minimize use of the Bass Boost control by changing the subwoofer position, the subwoofer enclosure design or the number of subwoofers in the system.

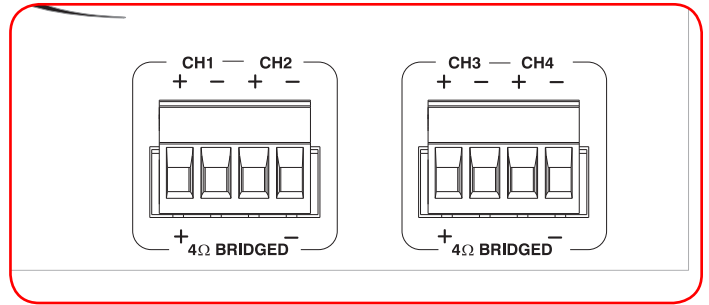


Load Impedance

All ARC Audio Amplifiers are designed as voltage-based Power Amplifiers. This means, the amount of power produced to the speaker is dependent on the impedance of that speaker. Reducing the impedance of the speaker will increase the amount of power produced by the amp, within certain design limits. This amplifier can run different impedance speaker loads on the front and rear channels simultaneously.

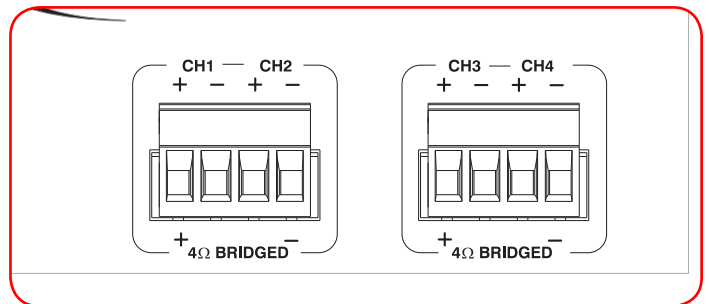
Any speaker or combination of speakers with a total combined impedance between 2 and 4 Ohms can be used on any single channel of this amp. Bridged loads must not drop below 4 ohms but may exceed 8 Ohms if needed. High-impedance loads will not damage the amplifier, however, power output will be decreased.

WARNING: This amplifier will not operate and could be damaged if used in the wrong configuration. At no time should it be operated below 2 Ohms Stereo or 4 Ohms Bridged per pair of channels.

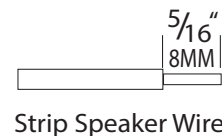


Speaker Output Connections

This amplifier features a multi-channel design. This means, it has more than one pair of speaker outputs. It is equipped with set of removable plug-style terminals for speaker wire connections up to 14 AWG in size. Make these connections carefully and neatly. Strip the wire back 5/16", twist the exposed leads together tightly, and insert them into the block terminal while being careful that there is no loose or frayed strands of wire touching adjacent wires or connections. Tighten the flat-head set screw on the terminal until the wire is held in place securely. The amplifier will go into protection if the wires ever come in contact



Check your load impedance before making speaker connections.



Strip Speaker Wire

Auto Detect Turn-On

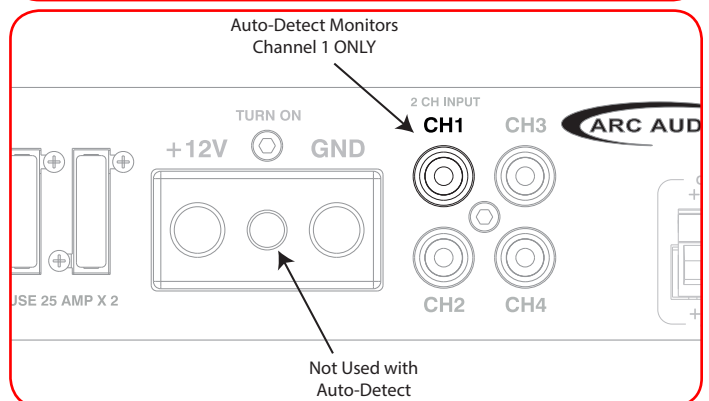
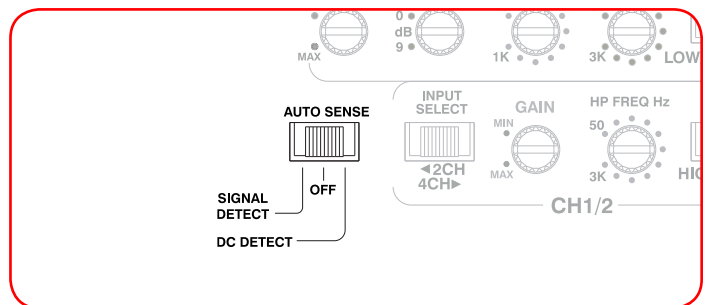
The X2 450.4 features two Auto-Detect Turn-On modes. In DC Detect mode, the amplifier monitors the Channel 1 RCA input for the presence of a DC offset voltage (common with Bridge Tied Load (BTL) source units and amplifiers. When this DC voltage is present, the amp will turn itself on.

When set to Signal Detect, the X2 450.4 monitors the Channel 1 RCA input for the presence of an audio signal. When an audio signal is present, the amp will turn itself on.

The amp automatically turns off 10 seconds after the DC Detect or Signal Detect no longer sees an appropriate signal.

When using either Auto-Detect mode, only the Channel 1 input is monitored.

The Turn On input on the power terminal block is NOT used when Auto Detect is turned on.

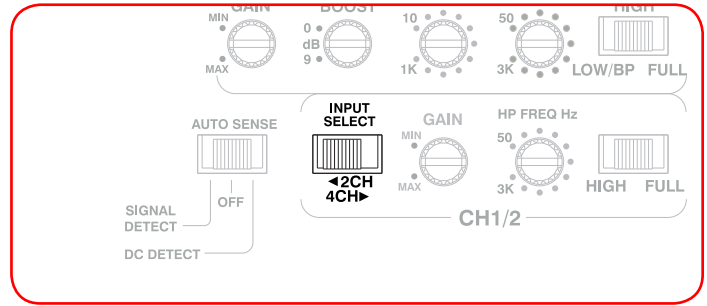


Input Select Switch

The X2 450.4 features an Input Select switch to help simplify installations and system configuration where only one set of speaker wires or RCA's is available to connect to the amplifier.

When in 2CH mode, the amplifier will feed the signal fed to CH1 to CH3 and the signal on CH2 to CH4. This has the same effect as using Y-cables between those channels but without the added expense or wiring clutter.

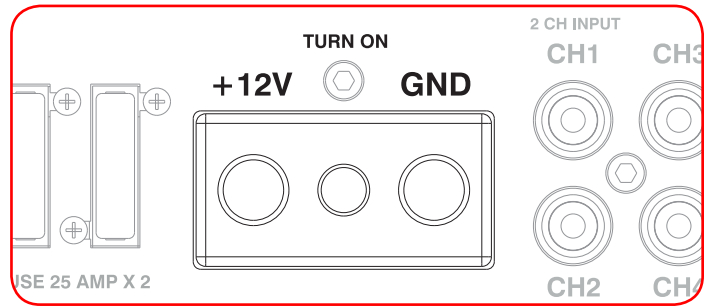
When set to 4CH mode, each of the four RCA inputs feeds directly to their respective output channels.



Power, Ground and Turn On Connections

The X2 450.4 features a terminal block that is designed to secure 4 AWG power and ground connections to the amp. We recommend the use of pure copper power and ground wires in order to achieve the most reliable connections. Also, be wary of 4 gauge versus 4-AWG wire. The American Wire Gauge (AWG) is a universal standard that specifies the diameter of stranded conductors. Wiring that is labelled as '4 gauge' may not be adequate to supply the amp with the current it requires to operate reliably and efficiently.

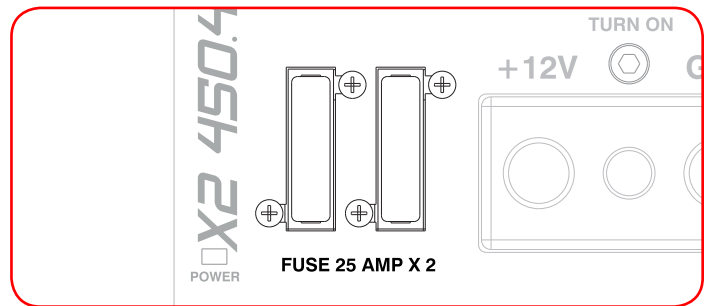
The Turn On input should be connected to the amplifier +12V DC remote turn-on output of your after-market source unit. In most cases this is a blue wire with a white stripe. Note: On some source units, there are power antenna AND remote turn-on wires. If you only hear audio when listening to the AM/FM tuner, your amp may be connected to the wrong wire.



Fuses

The X2 450.4 includes a pair of 25 amp ATC/ATO fuses on the left side of the end-panel. These fuses exist to protect the internal circuitry of the amplifier from damage and are not a replacement for a proper fuse at the battery in your vehicle. Under no conditions should you increase the value of the fuses used in this location.

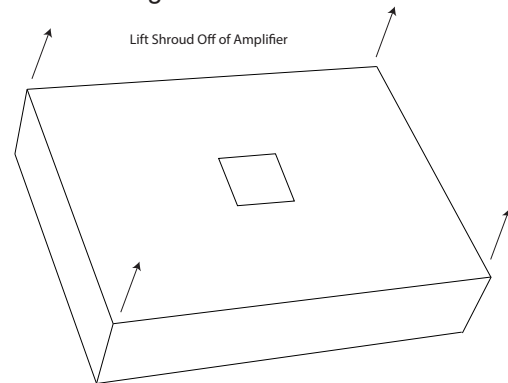
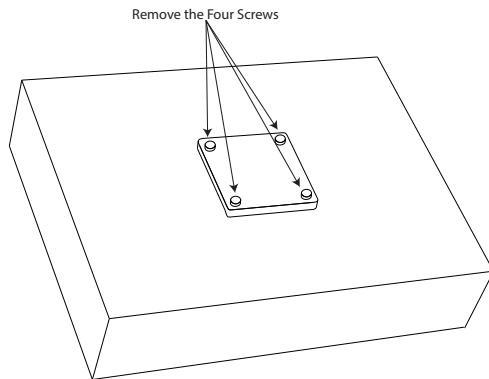
If the fuses blow immediately upon insertion, contact your authorized ARC Audio dealer or the Technical Support department at ARC Audio for assistance.



Accessing Controls and Mounting Provisions

The X2 450.4 features our Level 1 X2-Series cosmetics. This simple but elegant top cover design is accented with a diamond cut aluminum badge and a texture coated finish. Removing the four screws in the badge allows users to rotate the badge to make it look great in any installation. If you desire the old school and elegant black hairline cosmetics of the XDi Level 2 cosmetics, no problem - the X2 450.4 is upgradable by purchasing the XDI Trim kit.

To access the controls on the top of the amp, remove the four screws in the badge and set them in a safe place. Remove the badge and set it in a safe place. The amp shroud can now be removed for tuning and installation.



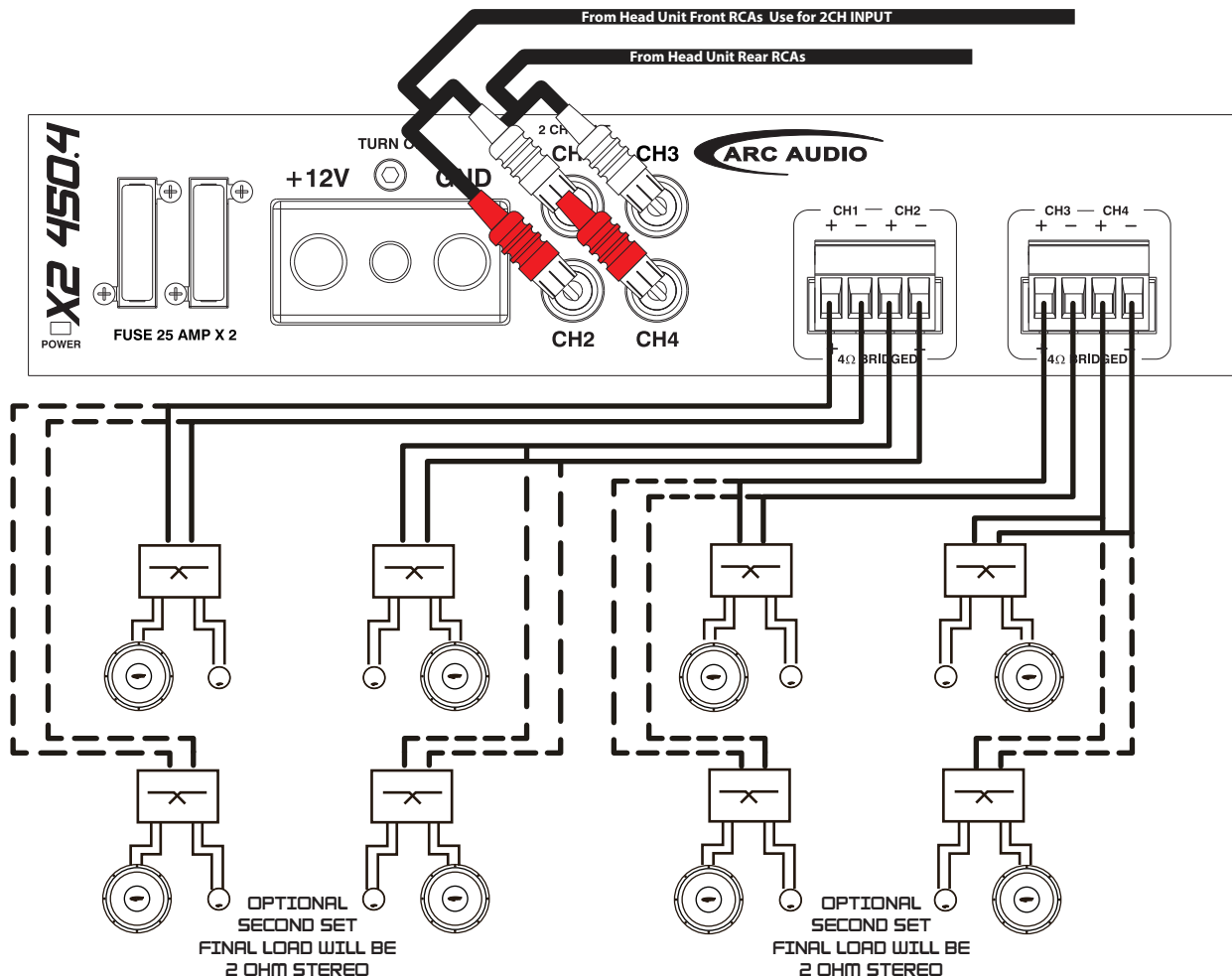
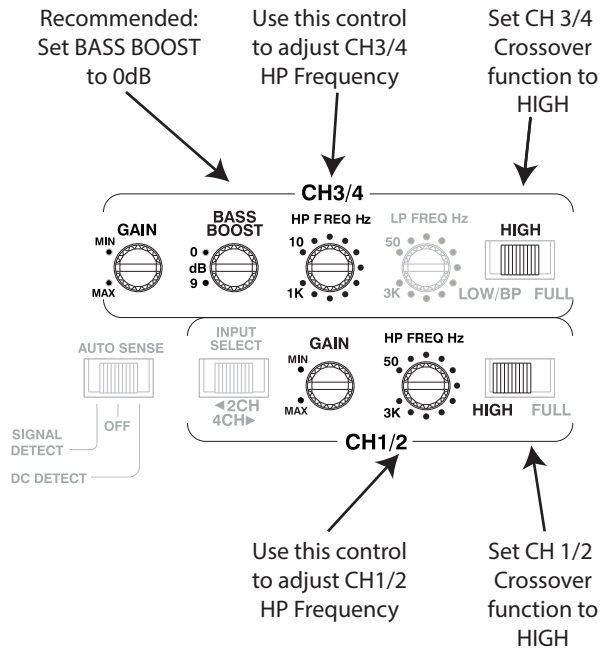
Installation Instructions

Below is a very abbreviated set of installation instructions. This is not meant as a step-by-step procedure, but is intended to give you a general idea of what is involved in installing this amp and the order in which the process should be completed. Every installation will be different and may require reordering of these steps.

- NEVER install the fuse at the battery or connect the negative battery cable until all the connections have been finalized.
- Before you start, disconnect the negative cable from any and all batteries in the vehicle. Tape up or secure the ground lead so it is isolated from the battery.
- Run an appropriate gauge power wire from the battery to the amplifier. Plan this part of the installation carefully. This cable will carry large amounts of current. Should this wire short to the body of the vehicle and not be properly fused, it could easily cause a fire.
- Always use a rubber or plastic grommet when routing power wires through the firewall or any metal surface.
- Connect the power wire to the battery using a fuse that is capable handling the total current requirements of all amplifiers or devices connected to the wire. In cases where multiple amplifiers share a common power wire, ensure each device has proper protection with a fuse. The fuses built-in to the ARC Audio X2-Series amplifiers satisfy this need. Processors, lighting, etc. will require dedicated fuses for safe operation.
- Locate the vehicle protection fuse as close as possible to the battery. If the fuse is further than 18 inches (wire length) from the battery, you should re-evaluate the wire routing and fuse placement. Ideally, the fuse should be within a few inches of the positive battery terminal.
- Find the closest clear metal area to the amp for a the ground connection. Sand, grind or scrape all paint and undercoating from the body and use a nut, bolt and lock washer to secure the wire in place. If your vehicle uses Quiet Steel, composite body panels or may have been assembled using adhesives rather than spot welds, add a parallel ground between the ground location in the vehicle and the negative terminal of the battery to ensure proper power delivery.
- Run the speaker wires to the speakers. It is advised that you leave some extra wire at this point. You can clean it up later.
- If you haven't already done so, mount the amp now.
- Connect the power and ground cables to the amplifier.
- Only after this step should you install the fuse at the battery or batteries. Reconnect the negative battery lead at this point.
- Connect the remote wire from the head unit to the amplifier.
- Turn the amp on for the first time. Make sure it turns on properly and does not go into protection.
- Turn the system off and finish connecting the speaker wires to the amplifiers and speakers. Make sure the polarity (+ and -) is correct.
- Connect the RCA signal wires to the amp.
- Double check the amplifier controls at this time. Make sure everything is set correctly based on your system design.
- Now you're ready to play it for the first time. It is best to leave the gains all the way down at first. Start with the head unit volume low and work your way up.
- Now you can tune the amp. Take your time and make only one adjustment at a time. It may take some time to get the system adjusted for our choice of speakers and subwoofers. Be patient.
- Any time the system is on, large amounts of current may be drawn from the battery. Monitor the battery voltage carefully and charge it thoroughly if it gets low.
- That's it! You're done. Now have fun!

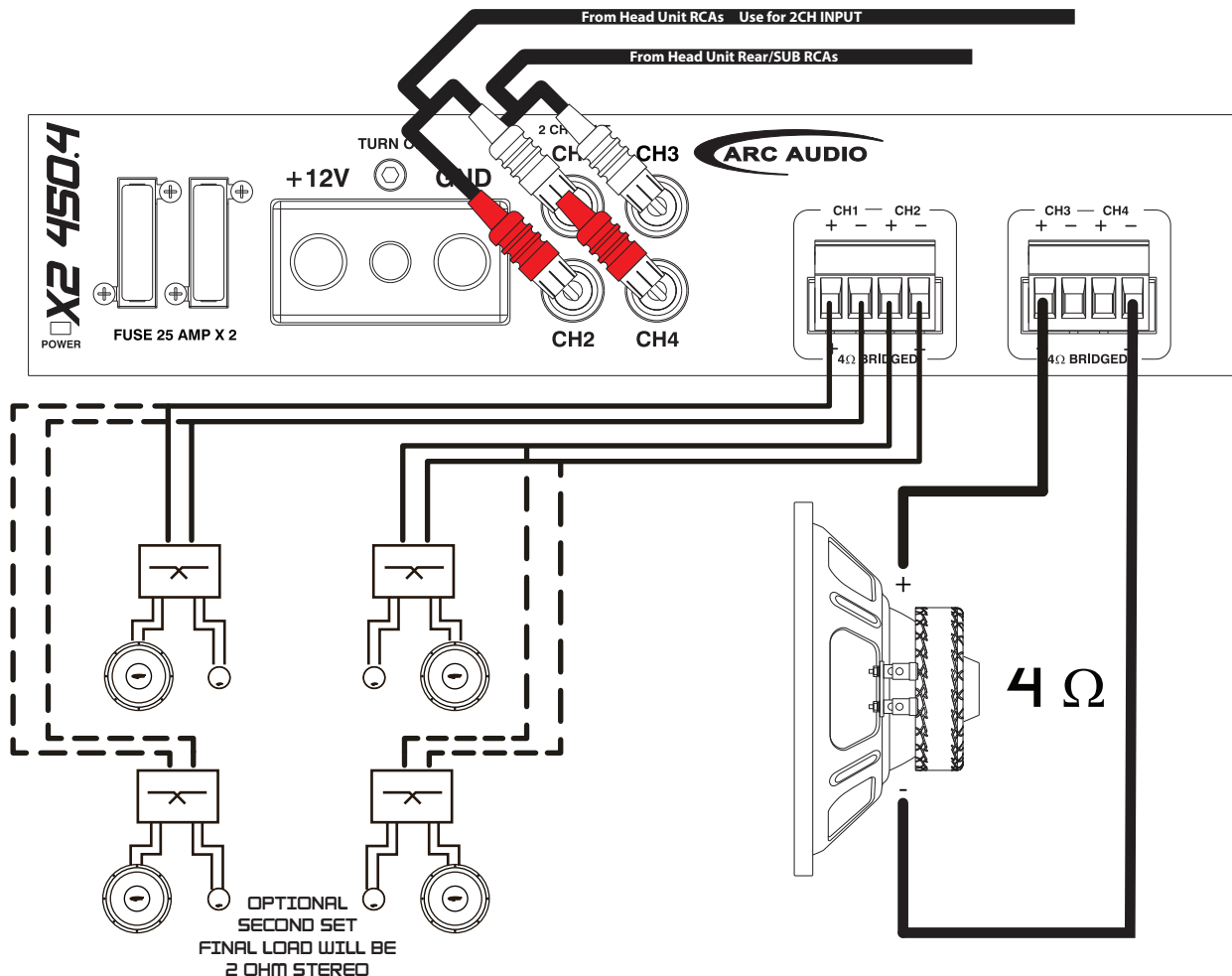
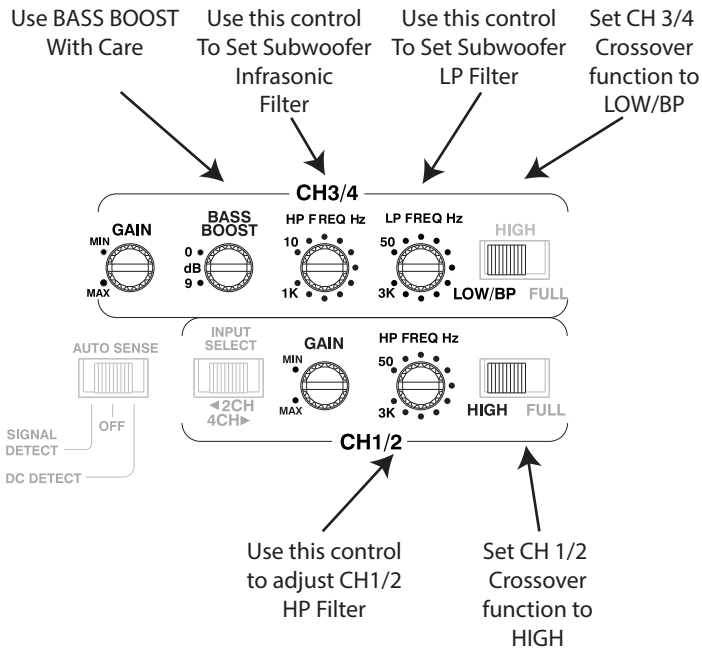
X2 450.4

STEREO 4-CHANNEL HIGH-PASS



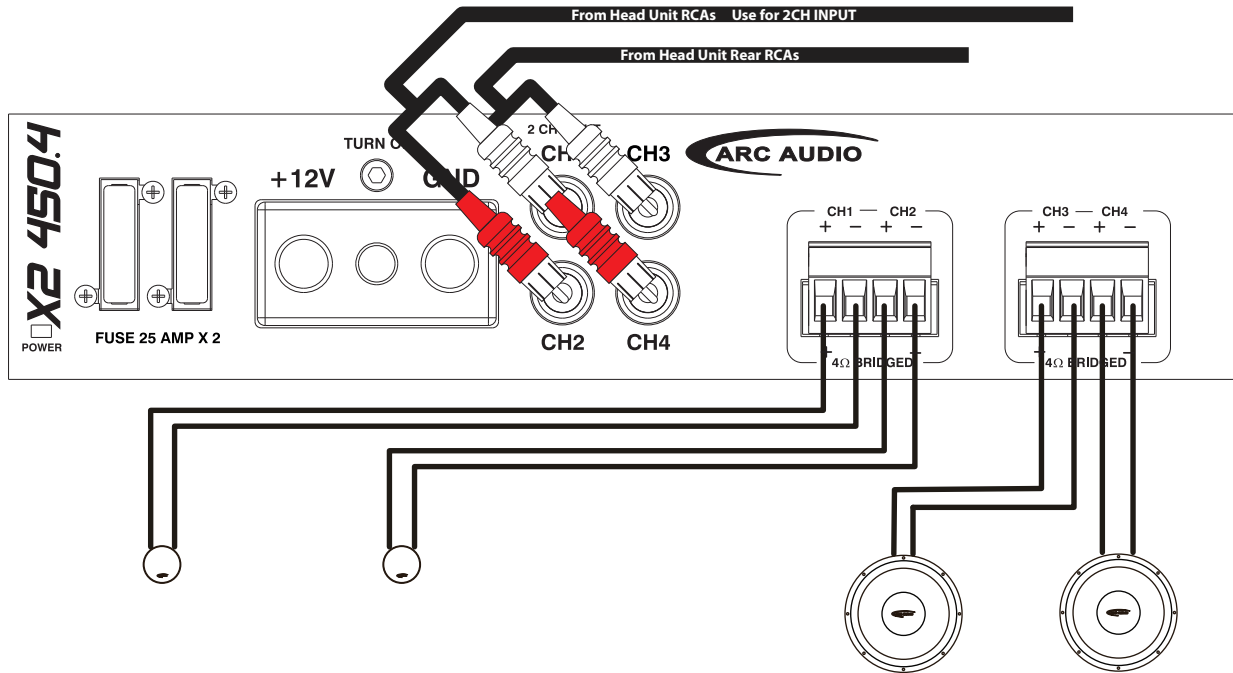
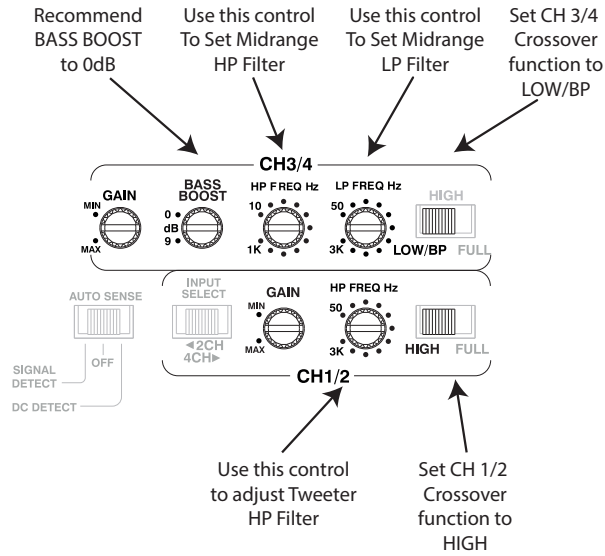
X2 450.4

STEREO HIGH-PASS with MONO SUBWOOFER



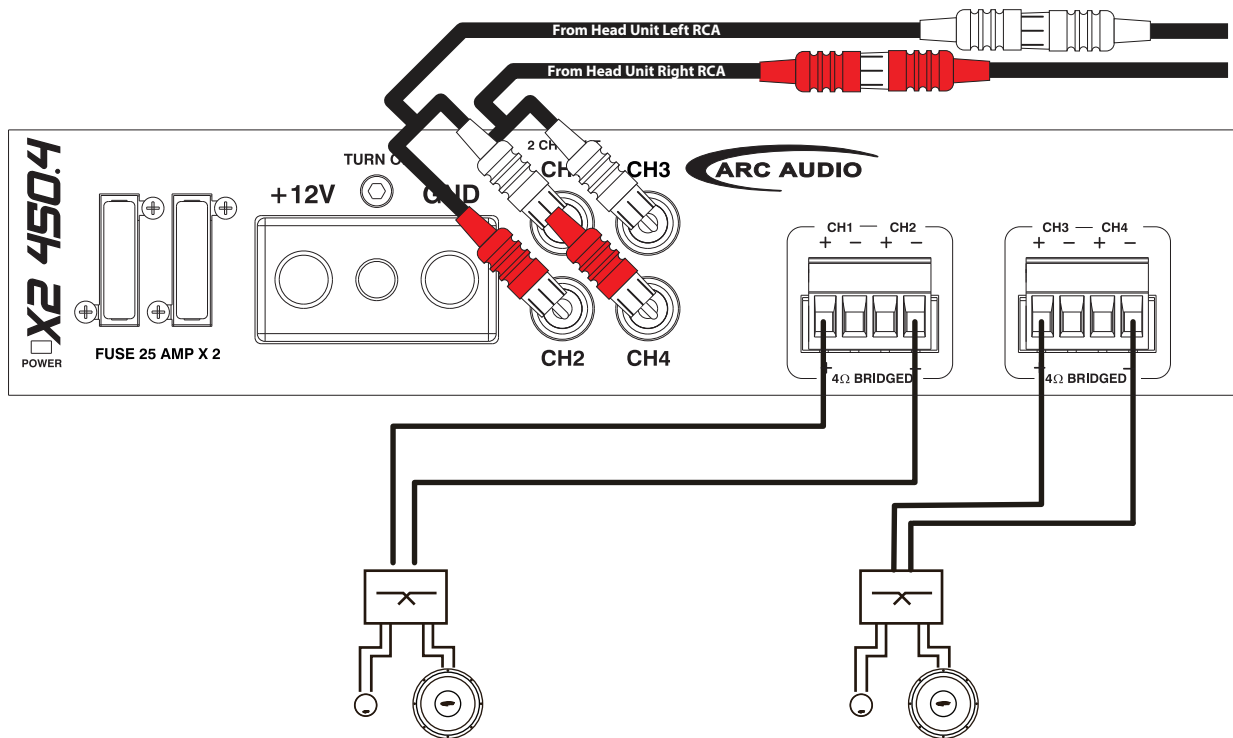
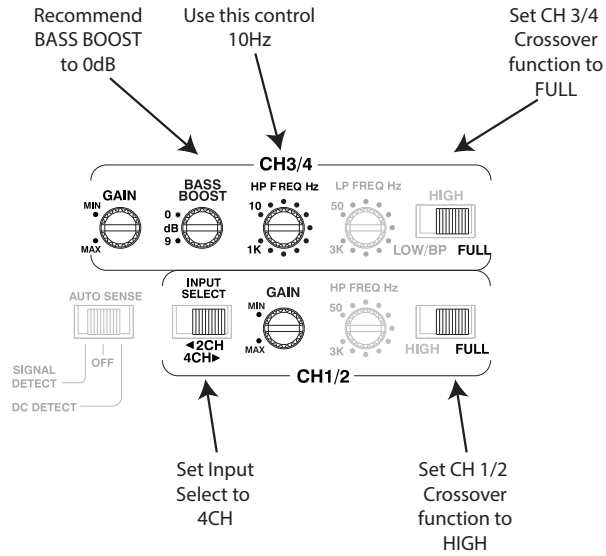
X2 450.4

4-CHANNEL HIGH-PASS AND BAND-PASS



X2 450.4

STEREO FULL-RANGE 2-CHANNEL BRIDGED



X2 450.4 Specifications

ARC AUDIO warranties all new X2-Series Amplifiers against defects in material and workmanship for a

Category	Specification
Rated Continuous (RMS) Power into 4 Ohms at 14.4V	85 Watts x 4
Rated Continuous (RMS) Power into 2 Ohms at 14.4V	125 Watts x 4
Rated Continuous (RMS) Power into 4 Ohms at 14.4V	250 Watts x 2
Frequency Response	20 Hz to 20 kHz
Crossover Range - Front High-Pass	10 Hz to 1 kHz @ 12dB/Octave
Crossover Range - Front Low-Pass	50 Hz to 3 kHz @ 12dB/Octave
Crossover Range - Rear High-Pass	50 Hz to 3 kHz @ 12dB/Octave
Bass Boost (Rear Channels)	0 to 9dB at 45 Hz
Input Sensitivity - RCA Input	200 mV to 3.5V
Fusing	2 x 25 Amp ATC/ATO
Dimensions	8.173"(L) x 6.268"(W) x 2.086"(H)
Start-Stop Vehicle Compatible	Yes (<8 Volts)

ARC AUDIO WARRANTY

ARC AUDIO warranties all new X2-Series Amplifiers against defects in material and workmanship for a period of ONE (1) YEAR from the original date of purchase. This warranty is not transferable and applies only to the original retail purchaser of the product, when purchased from an authorized ARC AUDIO retailer in good standing. Upon inspection by ARC AUDIO should services be necessary under this warranty for any reason due to manufacture defects ARC AUDIO will, at its sole discretion, repair or replace the defective product with new or similar conditioned product at no charge.

THIS WARRANTY DOES NOT COVER INSTALLATION OR DAMAGE RESULTING FROM AN ACCIDENT, MISUSE, ABUSE, IMPROPER WIRING, OPERATION OUTSIDE OF THE MANUFACTURER'S RECOMMENDATIONS OR SPECIFICATIONS, OR AGAINST INSTRUCTIONS IN THE OWNERS MANUAL.

ARC Audio products contain many delicate circuits and dangerously high voltages can be present even after power has been removed. These products are designed, tested and tuned for proper functionality and there are no user serviceable parts inside. Please Keep Out!

All warranty returns should be sent to ARC AUDIO freight prepaid and must be accompanied by proof of purchase (a copy of the original sales receipt). Direct returns from consumers or non-authorized retailers will be refused unless specifically authorized by ARC AUDIO with a valid Return Authorization number.

All warranty returns should be packed in original packaging and must be accompanied by a copy of the original sales receipt. Product damaged in shipment will not be covered under this warranty. The customer or retailer may choose to have this damage repaired at the normal "Out of Warranty" repair cost.

In no event will ARC AUDIO be liable for incidental, consequential, or other damages resulting from the use or miss-use of this product. This includes but is not limited to, damage of hearing, property or person, damage based upon inconvenience or in loss of use of the product, and to the extent permitted by law, damages for personal injury. This warranty gives you specific legal rights, and you may have other rights, which vary from state to state. This warranty applies to products sold and used in the United States of America. In all other countries please contact your distributor for warranty guidelines and limitations.

ARC Audio
4719 Green Leaf Circle
Modesto, California
95356 USA
209-543-8706