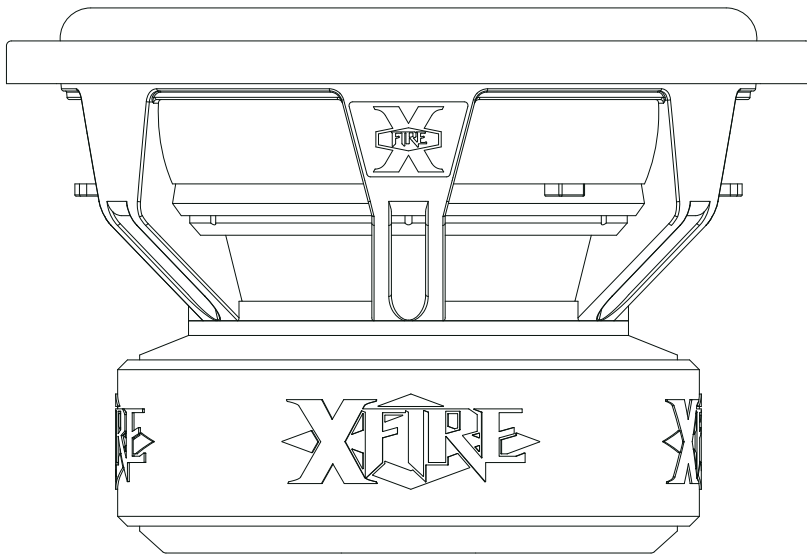


# XFIRE

AUDIO



XMF121/XMF122 XTREME  
Extreme Subwoofers  
Owners Manual

[XFIREAUDIO.COM](http://XFIREAUDIO.COM)

## Introduction

Congratulations on purchasing one of the finest autosound subwoofers available today. XMF XTREME Series Subwoofers are forged from rigorous pursuits of exceptional sound, strength, performance, and style. With our relentless pride and passion combined with 30 plus years of experience in the 12 volt industry we are proud to welcome you to the XFIRE AUDIO family.

It's Your Music, It's Your Style, It's Your Life, AMPLIFIED!

**Purchase and serial number information.** Record your new **XFIRE AUDIO** product information for future reference.

Purchase date	
Retailer	
Model #	
Serial #	

Welcome to **XFIRE AUDIO** "The New Breed Of Mobile Audio".

## Features

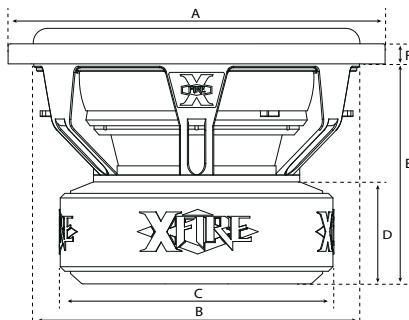
XMF XTREME series subwoofers generate an epic onslaught of bass annihilation leaving nothing in it's wake but envy.

- Die cast "Dura-Frame" black powder basket with "Direct Coil Cooling"
- 375ounce triple stacked ferrite magnet assembly
- Chrome machined T-Yokes with XFIRE logo punched back plate
- 4" Four-layer flat wire aluminium voice coils
- Ultra lightweight black carbon fiber cone with "Precision Linear Drive" dual stitched resin fiber surround
- "Hex-Core" Conex Spider assembly utilizing industrial woven dual tinsel leads
- XFIRE "Secure Seal" gasket

XMF XTREME series subwoofers; Brutally Obscene Woofers of Mass Destruction!

## Dimensions

	<b>XMF121/XMF122</b>
<b>Diameter A</b>	13" - 329mm
<b>Diameter B</b>	11.2" - 284mm
<b>Diameter C</b>	9.4" - 238mm
<b>Height D</b>	4.1" - 104mm
<b>Height E</b>	7.9" - 200mm
<b>Height F</b>	0.7" - 17,5mm



## Specifications

	<b>XMF121</b>	<b>XMF122</b>
<b>RMS Power</b>	2500W	2500W
<b>Max Power</b>	7500W	7500W
<b>Impedance</b>	Dual 1Ω	Dual 2Ω
<b>Response</b>	22-150Hz	22-150Hz
<b>Sensitivity</b>	87.4dB	87.6dB
<b>Fs</b>	36.4Hz	47.1Hz
<b>Qms</b>	5.47	6.80
<b>Qes</b>	0.37	0.42
<b>Qts</b>	0.35	0.40
<b>Vas</b>	0.98ft <sup>3</sup> - 27.8L	0.54ft <sup>3</sup> - 15.4L
<b>Re</b>	2.0Ω	4.0Ω
<b>BL</b>	18.3N/A	28.6N/A
<b>Le</b>	0.96mH	1.88mH
<b>Sd</b>	82.3sq" - 531cm <sup>2</sup>	82.3sq" - 531cm <sup>2</sup>
<b>x-max, 1-way</b>	1.18" - 30mm	1.18" - 30mm

All specifications are subject to change without notification due to continual product improvements.

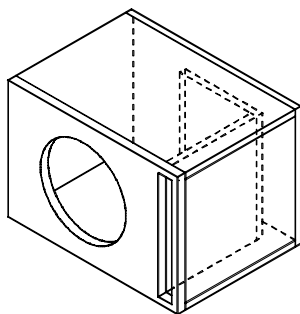
## Enclosure

XMF XTREME series subwoofers are designed for high output systems and have suspensions optimized for extreme excursion in ported enclosures.

In this manual there are two, single subwoofer vented enclosure designs. One is a minimum recommended enclosure option while the other is for optimal design for the best possible sound.

In addition there is an optimum dual XMF XTREME series subwoofer vented enclosure design.

All dimensions given are internal dimensions, XFIRE AUDIO advises to use minimum 0.75" (18mm) thick panels for all the sides and 1.5" (36mm) thick front panel.



## Vented subwoofer enclosures

	Gross volume	Net volume	Slot port	Port length
<b>1x XMF121/ XMF122 Minimum</b>	2.33 ft <sup>3</sup> - 66 L	1.75 ft <sup>3</sup> - 49.5 L	28 sq" - 180 cm <sup>2</sup>	20" - 50 cm
<b>1x XMF121/ XMF122 Optimum</b>	3.00 ft <sup>3</sup> - 85 L	2.25 ft <sup>3</sup> - 63.7 L	36 sq" - 232 cm <sup>2</sup>	22" - 56 cm
<b>2x XMF121/ XMF122 Optimum</b>	6.00 ft <sup>3</sup> - 170 L	4.5 ft <sup>3</sup> - 127.4 L	72 sq" - 465 cm <sup>2</sup>	22" - 56 cm

### XFIRE AUDIO limited warranty.

U.S.A. warranty: 90 days. (1 year if installed by an authorized dealer.)

What is covered: This warranty applies only to XFIRE AUDIO products sold to consumers by authorized dealers in the U.S.A. Products purchased by consumers from an authorized dealer in another country are covered only by that country's distributor.

Who is covered: The original purchaser of XFIRE AUDIO product bought from an authorized dealer in the U.S.A. To receive warranty, the original purchaser must provide a copy of the receipt with customer name, dealer, XFIRE model purchased with the date of purchase. Please retain all receipts for warranty purposes should they be needed. Warranty is not transferable.

Products found to be defective during the warranty period will be replaced (with a product deemed equivalent) at the discretion of XFIRE AUDIO.

What is NOT covered:

- Abuse (including burnt voice coils) improper installation, operating product other than which it was designed, water damage, theft, product damage from vehicle accidents, or shipping damages.
- Any costs incurred for removal or reinstallation.
- Any product with altered, defaced or removed serial numbers.
- Damage to other components.
- Products purchased from unauthorized dealers, retailers or internet sites.

Buyers beware of the Internet. ANY XFIRE AUDIO product bought online that is NOT from an AUTHORIZED dealer will void any and all warranty. Limit on implied warranties: Any implied warranties including warranties of fitness for use and merchantability are limited in duration to the period of the express warranty set forth above. Some states do not allow limitations on the length of an implied warranty, thus limitations may not apply. No person shall assume for XFIRE AUDIO any other liability in connection with the sale of products.

Obtaining warranty: Contact your local authorized dealer.

Should you need additional assistance please email XFIRE AUDIO : [salesusa@xfireaudio.com](mailto:salesusa@xfireaudio.com) or call us 855-77-XFIRE.