



USER MANUAL
AF-3000

INTRODUCTION

Congratulations!

Thank you for purchasing this amplifier for your car audio system. Now you own an amplifier of uncompromising design and engineering incorporating the latest advanced circuit technology. You will discover soon that our amplifiers display optimum sound with high quality and provide reliable performance.

The amplifiers are adopted by advanced craftsmanship which use the highest quality components and strict quality control system. In order to provide you the best performance. We recommend you to contact an authorized this amplifier Dealer to do the installation.

Please read this manual thoroughly to ensure that you can get the maximum benefit from this new amplifier. When you install it properly, this unit will provide you years of trouble-free performance.

- 1 Ohm load stable.
- Double side FR-4 PCB, high quality SMD components.
- Full range MOSFET circuit design.
- Adjustable low pass filter.
- Adjustable High pass filter.
- Adjustable bass boost frequency and level.
- Overload, thermal, low voltage protection.
- Remote level control.

TABLE OF CONTENTS

Amplifier Functions	1
Wiring and Applications	4
Product Specifications	9

AMPLIFIER FUNCTIONS

① AUXILIARY OUTPUT

The Aux outputs offer amplifiers easy unlimited system expansion. Routing signal from a source unit, pre-amplifier or equalizer is a matter of routing RCA's into the RCA inputs and out through the AUX outputs to the next amplifier

② BASS BOOST LEVEL

Adjust the boosted level from 0 ~ 12dB.

③ BATTERY + 12V INPUT

Battery + terminal. The +12 Volt power cable must be connected with a fuse in line near the battery + terminal. Please see the table of cable and fuse selection.

④ GAIN

Gain control regulates the sensitivity of the amplifier to match the signal output voltage of your source unit. The gain control is not a volume adjustment. Use high quality CD music and increase the volume of your source unit to 75% posit, set the gain at the minimum and then increase gain slowly (clockwise). Stop at the first sign of distortion, then lower the gain a little (counter clockwise) to achieve clear undistorted music at the maximum level.

⑤ GND

Chassis ground terminal. The chassis ground cable must be connected very tight on a nearby massive and electric conductive place.

⑥ HIGH-PASS/LOW-PASS FILTER

When the crossover is in the LPF position, this control becomes active allowing your to select your crossover point. For example: if you select 80Hz the amplifier will operate below 80Hz.

When the crossover is in the HPF position, this control becomes active allowing your to select your crossover point. For example: if your select 15Hz the amplifier will operate above 15Hz.

⑦ POWER / PROTECT/CLIP LED

This LED will light up with BLUE when amplifier works properly. When LED light up with RED, Amplifier may in self-protection mode or malfunction. Shut down the amplifier immediately. When LED light up with YELLOW, Amplifier could be overload Find the reason before power up again

⑧ REM

Remote terminal. The remote cable must be connected with the radio remote terminal so that the amplifier will switch on and off automatically with the radio.

If there are two or more amplifiers installed together, it might be necessary to add an additional relay. Please consult your dealer.

⑨ **REMOTE BASS LEVEL CONTROL**

When using the remote bass level control you can adjust volume in the driver seat.

⑩ **RCA AUDIO INPUT**

These RCA audio inputs connect with your radio RCA outputs . Please use car audio RCA cables , otherwise it may be disturbed . Keep these cables as short as possible To avoid disturbances from your car electronics , please dont close the existing car cables when you install the RCA cables . If your radio has only one set output please use a suitable Y-RCA adaptor. If your radio has only speaker output , you must use a HIGH LOW LEVEL adaptor .

⑪ **SPEAKER CONNECTION**

Never connect the speaker cables with the chassis ground. This may destroy your amplifier. Check that your speakers are connected correctly which means plus to plus and minus to minus.

We recommend speaker cable from 3.0mm to up. The connection ways are shown in the attachment.

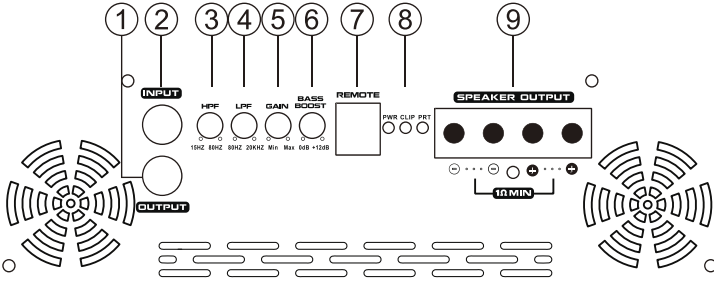
INSTALLATION

We recommend you have the installation done by an Authorized Dealer. Required power, ground wire and proper external fuse shown below.

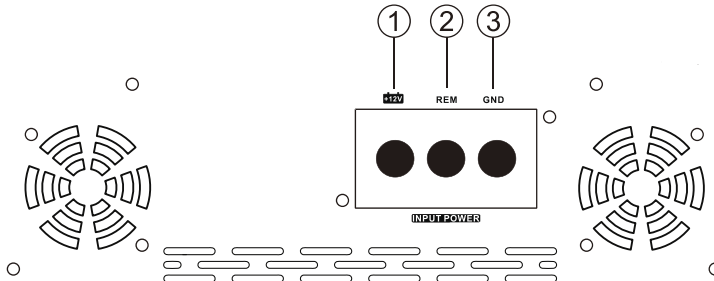
Model	Fuse	Wire
AF-3000	2×150AMP	0 Gauge

We recommend the fuse to be installed no more than 12 inches from the battery. The ground wire should be connected directly with the chassis of your vehicle which should be a metal to metal ground point connection. The amplifier must be mounted securely a a solid, dry and low vibration surface in the trunk or passenger area. Mount the amplifie in an open air area to insure proper heat dissipation. Mount the amplifier in a place wher you can access it easily to set the input controllers. Install all amplifier cables as far as possible from car electrical cables such as the car ignition cable.

AF-3000

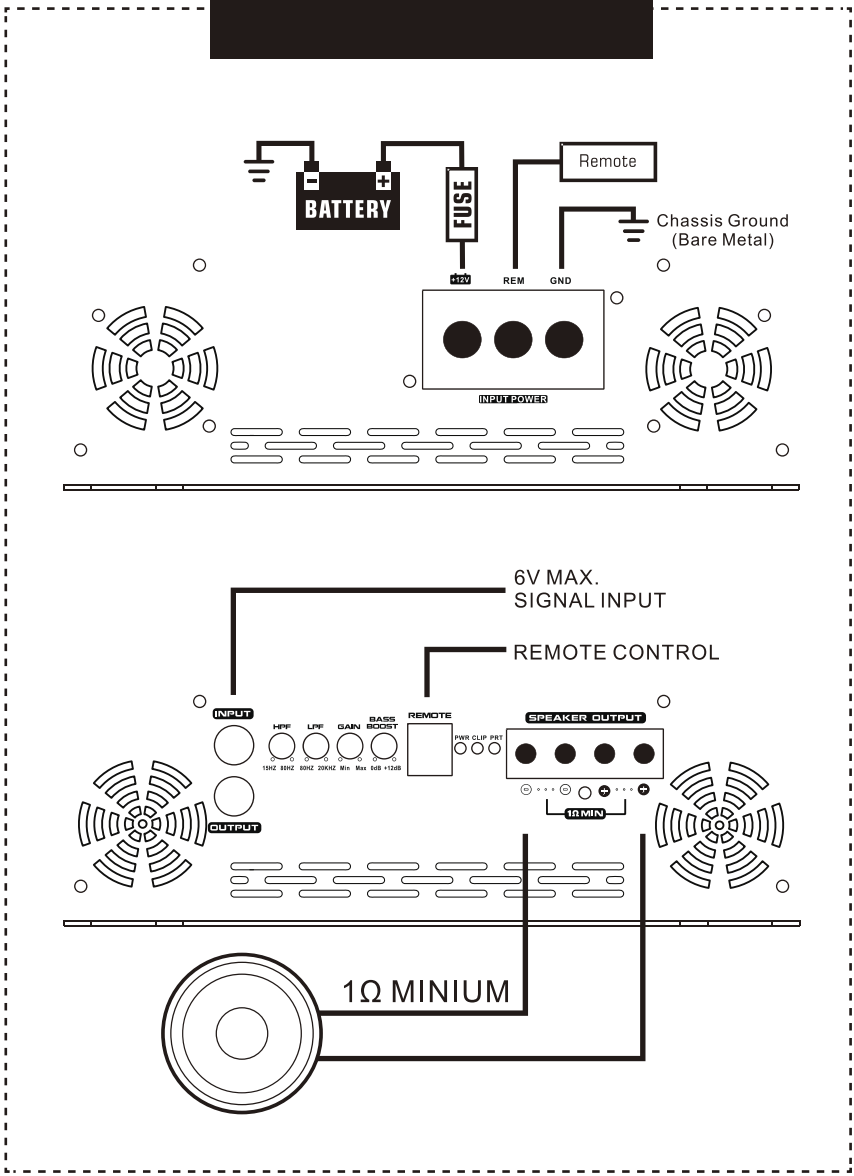


- | | |
|-----------------------------|-----------------------------|
| 1. RCA Output Jacks | 6. Bass Boost Level Control |
| 2. RCA Input Jacks | 7. Remote Control |
| 3. High Pass Filter Control | 8. Protect/POWER/CLIP LED |
| 4. Low Pass Filter Control | 9. Speaker Connection |
| 5. Gain Control | |

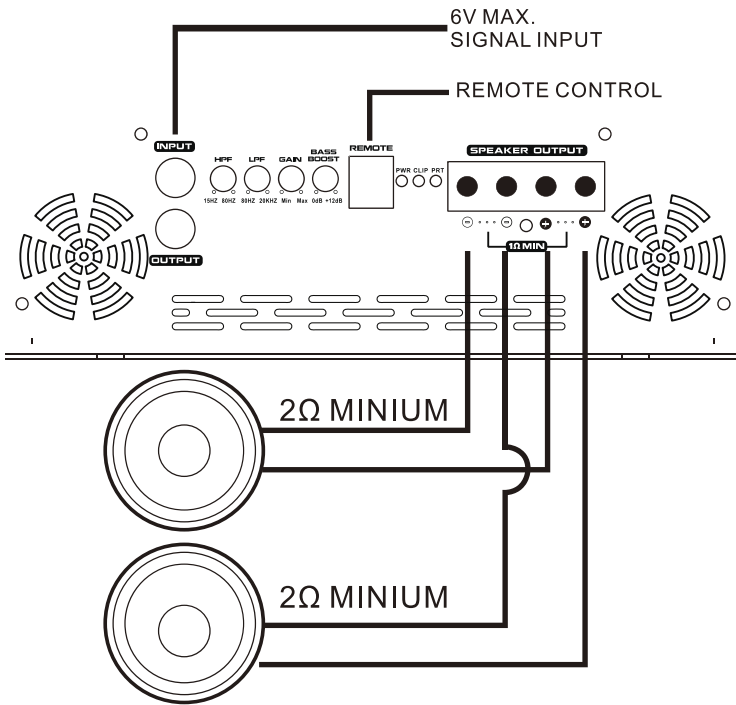
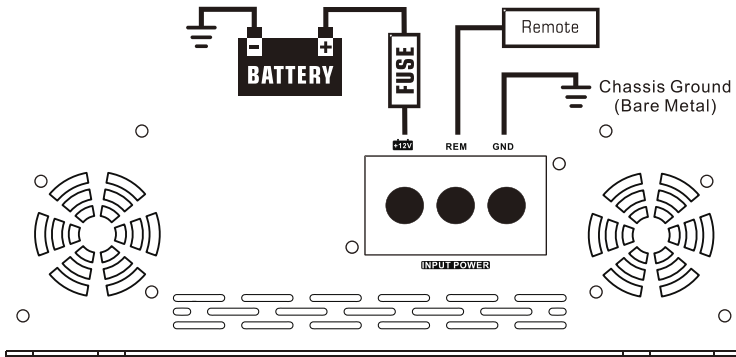


- | | |
|-------------------------|-----------------|
| 1. Battery +12V Input | 3. Ground Input |
| 2. Remote Turn-on Input | |

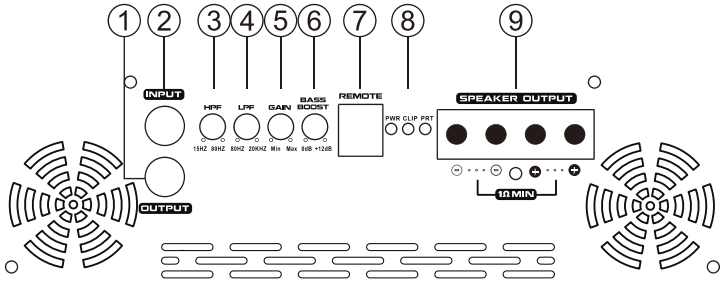
ONE SPEAKER MONO



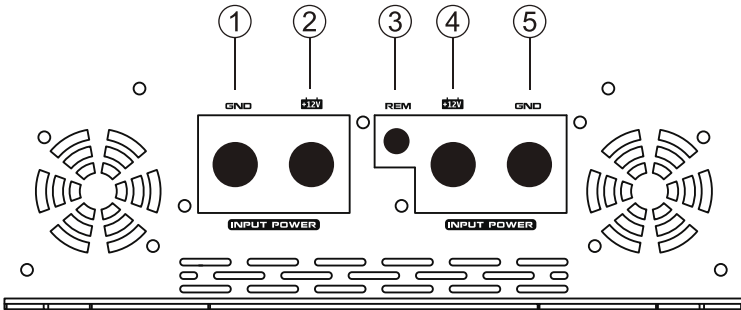
TWO SPEAKER MONO



AF-3000

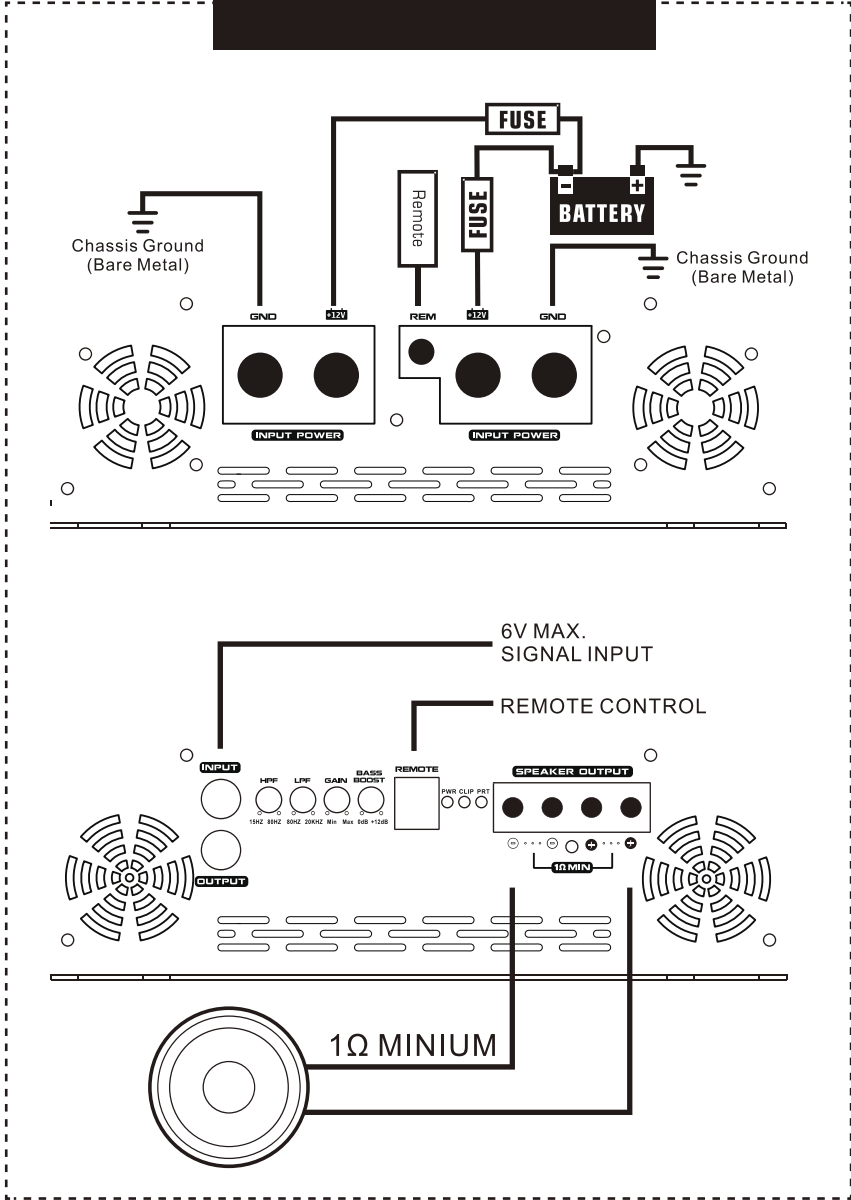


- | | |
|-----------------------------|-----------------------------|
| 1. RCA Output Jacks | 6. Bass Boost Level Control |
| 2. RCA Input Jacks | 7. Remote Control |
| 3. High Pass Filter Control | 8. Protect/POWER/CLIP LED |
| 4. Low Pass Filter Control | 9. Speaker Connection |
| 5. Gain Control | |

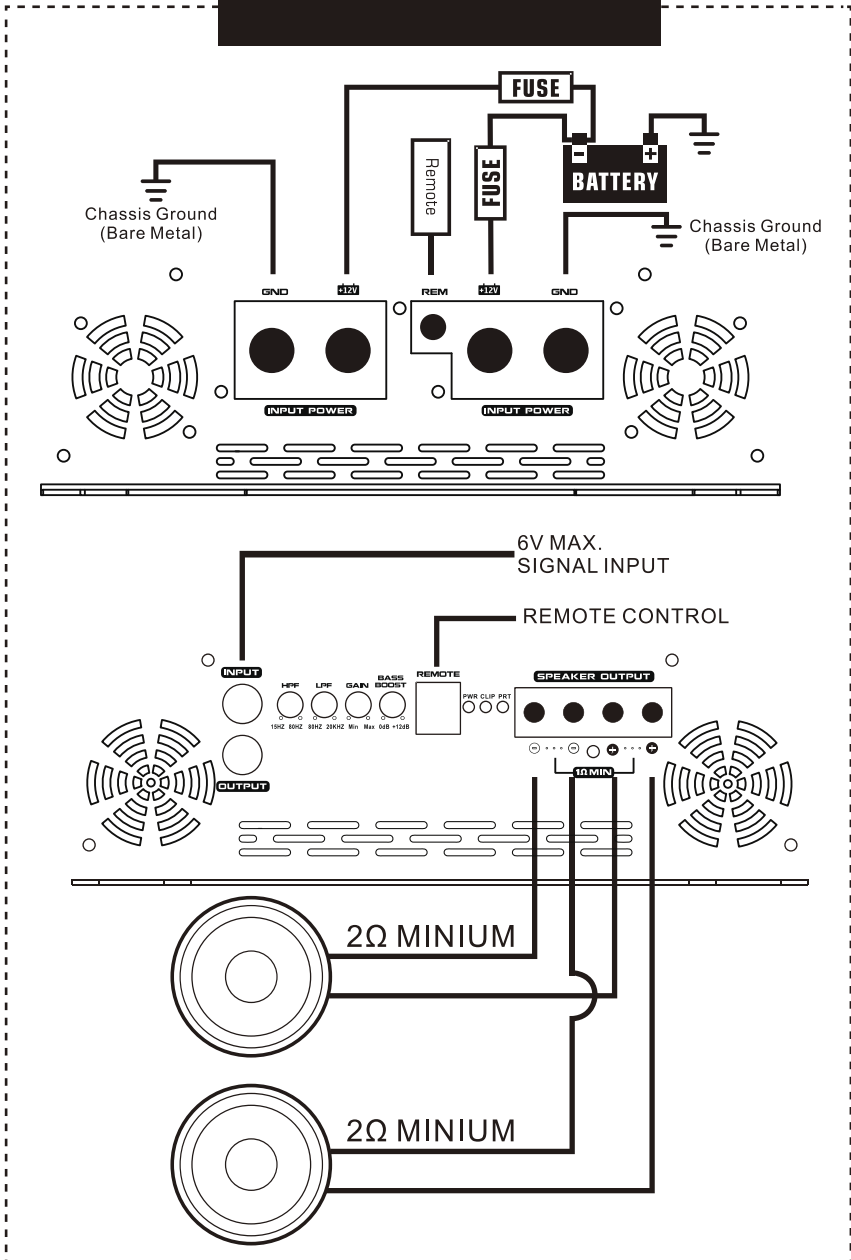


- | | |
|-------------------------|-----------------------|
| 1. Ground Input | 4. Battery +12V Input |
| 2. Battery +12V Input | 5. Ground Input |
| 3. Remote Turn-on Input | |

ONE SPEAKER MONO



TWO SPEAKER MONO



PRODUCT SPECIFICATIONS

	AF-3000	
RMS @ 1 Ohm (< 1% DISTORTION)	3000W	
RMS @ 2 Ohm (< 1% DISTORTION)	2112W	
RMS @ 4Ohm (< 1% DISTORTION)	1156W	
Frequency Response	20Hz ~ 20kHz	
S/N Ratio	>60dB	
THD	≤1%	
LPF	15Hz ~ 80Hz	
HPF	80Hz ~ 20KHz	
Bass Boost Level	0~12dB	
Input Sensitivity Level	0.2 ~ 6V	
Current Draw	295A	
Components & PCB	SMT & Double Side Board	
Dimension(LxWx H)	190x220x75mm	

AMPLIFIER

USER'S MANUAL
