

ZEN SERIES

ACCESSOIRES



since 1988

AUDIO
SYSTEM

the sound

HIGH LOW CONVERTER

MANUAL



HLC 4 EVO



DESIGNED AND ENGINEERED BY AUDIO SYSTEM GERMANY

Congratulation on your purchase of your new **Z SERIES** Adapter.

IMPORTANT: Before installation of your High Low Converter, we recommend to read the owner's manual carefully and to follow the instructions regarding connection and fitting exactly.

ATTENTION: Pay attention to advices and instructions of the car manufacturer.

IMPORTANT: Your proof of purchase is evidence of warranty claim for repair or replacement. Keep your proof of purchase, manual and original packaging.

ATTENTION: Use of sound components can impair your ability to hear necessary traffic sounds and may constitute a hazard while driving your automobile.

AUDIO SYSTEM GERMANY accepts no liability for hearing loss, bodily injury or property damage as a result of use or misuse of our products.

We recommend installing the equipment by an authorized service center or dealer. A professional fitting and connection is the requirement for further warranty and perfect sound.

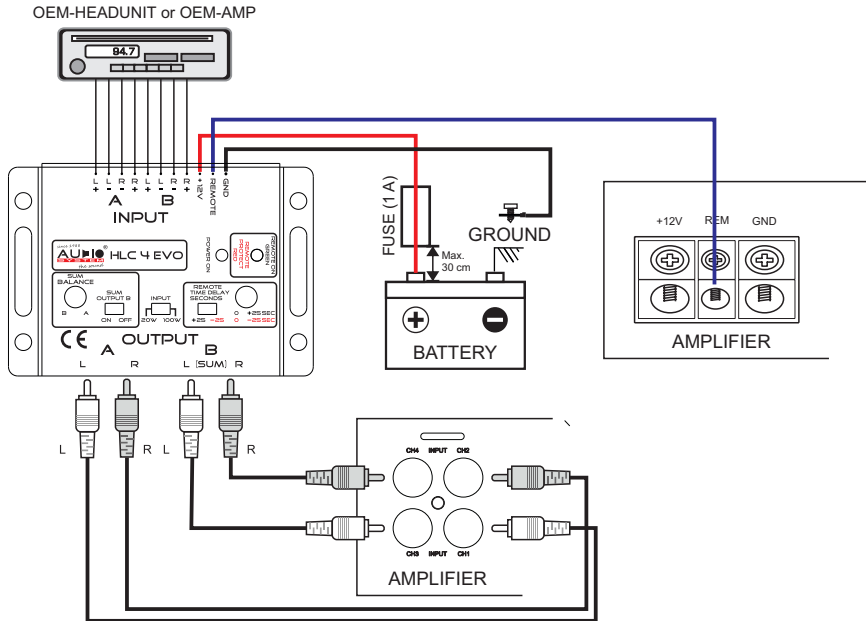
HLC 4 EVO

- 4-Channel High-Low-Adapter
- Connectable to all OEM-Headunits and OEM-Amplifiers (max. 100W)
- Prevents distortion and power up noise
- Generates amplifier remote signal
- Outstanding sound quality
- 5-Volt pre-amplifier technology
- Adjustable on or off delay time
- Pluggable connection terminal
- Channel summation function
- Automatically detects BTL or Single-Ended signals (music)
- **PRS** - Phantom Resistor Simulation

ATTENTION

Please follow this instructions during the installation of your High-Low-Adapter:

- Take care of a professional attachment. Pay attention that no electrical cable, gas tank, hydraulic brakes or other components get damaged.
- Protect your **HLC 4 EVO** from fluids, wetness, heat and foreign material as well as from other influences.
- The High-Low Adapter is only to be built into vehicles with a 12 V DC power supply.
- Never install the power supply cable with other original wires of the vehicle (gas cables), fan motors, brand control moduls etc.
- Install the signal cable (cinch cable) as well as the speaker cable far away of the power cables to avoid troubles with the music signal.
- The cables of your **HLC 4 EVO** have to be installed, so that there is no danger of binding, squeezing or breaking.



ACHTUNG:

1. Battery disconnection

First disconnect the power supply of the vehicle. This works out the best by removing the ground cable of the battery.

2. Ground connection

Connect the GND (ground) connection of the HLC 4 EVO with the car chassis. Use a suitable cross section (1,5 - 2,5 mm). Make sure, that the connection with the vehicle chassis is free of paint, dirt and dust.

3. +12 V Power connection

Connect the +12 V contact of the High-Low adapter via a fuse (1 A) directly to +12 V. This fuse protects the amplifier and the vehicle against the possibility of a short circuit in the power cable.

4. Remote connection

Connect the REM-terminal of the HLC 4 plus to the remote-input of the amplifier. Therefore use a 0,5 - 1,5 mm power cable. The amplifier turns on as soon as music signal is generated at the input of the High-Low Adapter.

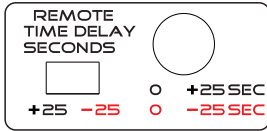
5. Input

The HLC 4 EVO has High-Inputs, which have to be connected to speaker output of the head unit (OEM).

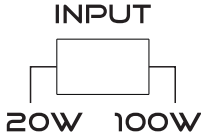
6. Output

The RCA(Cinch)-outputs of the HLC 4 EVO have to be connected to the RCA(Cinch)-inputs of the amplifier. Important in this respect is, that first the gain-control of the connected amplifier is put to minimum. Turn up only if necessary.

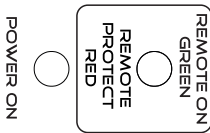
In this regard, **AUDIO SYSTEM GERMANY** recommends to adjust your amplifier by a specialized service center, dealer or a specialist.



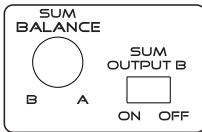
The **HLC 4 EVO** features an adjustable ON / OFF remote delay . Switch „REMOTE TIME DELAY SECONDS“ to „-25“ for turn-on delay or to „+25“ for turn-off delay. The delay time is adjusted by the potentiometer between 0 and 25 seconds.



The **HLC 4 EVO** has an input power selector to adapt as many different radios and sound systems as possible. For standard OEM-headunits select „20W“. When using the **HLC 4 EVO** with a amplified sound system with more than 20W output power select „100W“



The **HLC 4 EVO** has a multi-level status display. If the **HLC 4 EVO** has recognized a signal, the "POWER ON" LED switches on. As soon as the remote output is activated, the "REMOTE ON" LED switches green, in the event of an error the LED switches red.



The **HLC 4 EVO** has a summation function. This adds up the inputs A + B and generates a mixed signal on output B (sum). To do this, the **SUM** switch must be set to "ON" . With the potentiometer **BALANCE** mixing ratio between Channel „A“ and „B“ can be set.

Power Supply Voltage	10 - 16 V
Signal to noise ratio	>95 dB
Frequency response	10 Hz ~ 50 KHz (+/-1 dB)
Channel separation	75 dB
Recommend fuse	1 A
Maximum input power	20W / 100W (HIGH-POWER)
Dimensions	53(W) x 34(H) x 82(L) mm