

# STEG

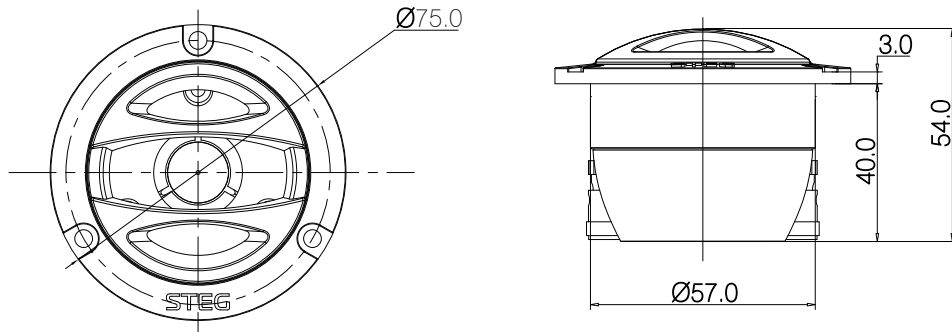
**ET-25**

SUBWOOFER SPEAKER SYSTEM  
OWNER'S MANUAL

---

Thank you for purchasing a STEG brand Speaker. It is a state-of-the-art product specifically designed and engineered for vehicle use, and has been thoroughly tested to ensure consistent and reliable performance.

Should you have any questions regarding the installation or operation of your STEG Speaker, which are not answered in this manual, please contact your dealer for assistance.



## PRECAUTIONS

- Before making holes, check the mounting space with supplied template.
- To prevent noise pick-up, keep the wiring away from motors, highvoltage leads and other potential noise sources.
- To prevent a short-circuit, keep all wiring away from moving parts and sharp edges.
- Make sure you carefully read and understand the installation instructions before installing this subwoofer in your vehicle.

## Product information

Rms.Power (W)	30
Throat diameter	43mm. 1.7in
Rated impedance	4ohm
Minimum impedance	7.3 ohm@3.5kHz
Sensitivity@1w/1m(dB)	105
D.C.Resistance	3.6 ohm
Power capacity	25w AES above 0.8kHz
	35w AES above 1.5kHz
Program power	60w above 0.8kHz
	80w above 1.5kHz
Sensitivity	95dB 1w@1m
Frequency range	2KHZ-20kHz
Voice coil diameter	25.4mm.1in.
Magner Size	25x7 N38.