

11. TECHNICAL FEATURES

| | |
|--|---|
| Output power RMS | |
| - @ 4 Ohms | 65 Watts per channel (\leq 1% THD+N) |
| - @ 2 Ohms | 90 Watts per channel (\leq 1% THD+N) |
| Inputs..... | 2 x RCA/ AUX in |
| | 6 Highlevel speaker input |
| | 1 x Optical SPDIF (12 - 96 kHz) |
| | 1 x Remote In |
| Input sensitivity..... | RCA / Cinch 400mv 1 x COAX in |
| | Highlevel 5 - 10 Volts or 10 - 20 Volts |
| Outputs..... | 6 x Speaker |
| | 2 x RCA/ Cinch |
| | 1 x Remote Out |
| Output voltage RCA/ Cinch..... | > 5 Volts RMS |
| Frequency response..... | 20 Hz - 22,000 Hz |
| DSP resolution..... | 32 Bit |
| DSP power..... | 295 MHz (1.2 billion MAC operations/second) |
| Sampling rate..... | 48 kHz |
| Signal converters..... | A/D: Transformation mode |
| | D/A: Transformation mode |
| Signal-to-noise ratio digital input..... | 105 dB (A-weighted) |
| Signal-to-noise ratio analog input..... | 100 dB (A-weighted) |
| Distortion(THD)..... | < 0.015 % |
| Damping factor..... | > 70 |
| Input impedance RCA..... | 22 kOhms |
| Input impedance highlevel..... | 200 Ohms |
| Operating voltage..... | 9 - 15 Volts (max. 5 sec. down to 6 Volts) |
| Additional features..... | Control Input, USB, HEC slot |
| Dimensions (W x D x H)..... | 250 x 210 x 57.5 mm / 11.06 x 8.26 x 2.34" |



Ower's Manual **Digital Signal Processor**



SDSP 6

DIGITAL SIGNAL PROCESSOR

INDEX

1. PRODUCT DESCRIPTION-PRECAUTIONARY NOTES.....02

2. PACKAGING CONTENTS.....02

3. DSP AND DRC INSTALLATION.....03

4. CONNECTION PANELS-DESCRIPTION.....04

 4.1 Input signals04

 4.2 Output signals05

 4.3 Input -remote control outputs and power supply.....05

5. CONNECTIONS.....06

 5.1 Power supply and remote turn on06

 5.2 Personal computer and Digital Remote Control(DRC)07

 5.3 High-Level input signals07

 5.4 Low-Level input signals08

 5.5 Bluetooth Low-Level input signals08

6. SOFTWARE INSTALLATION.....09

 6.1 DSP GUI installation09-10

7. GUI OPERATION INSTRUCTION.....11

 7.1 Guide to GUI after installation11

 7.2 Interface introduction12-16

8. STAND INSTALLATION REFERENCE.....16

 8.1 5 channel stand alone treble mode16

 8.2 3 way crossover treble mode.....17

9. REMOTE INTRODUCTION.....17

10. APP INTRODUCTION.....18



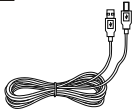




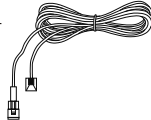
11. TECHNICAL FEATURES.....19

1.PRODUCT DESCRIPTION-PRECAUTIONARY NOTES

The DSP is a digital signal processor essential to maximize the acoustic performance of your car audio system. It consists of a 32-bit DSP processor and 24-bit AD and DA converters. It can connect to any factory system, even in vehicles featuring an integrated audio processor, since, thanks to the De-equalization function, the DSP will send back a linear signal. It features selectable High and low level inputs as well as 3.5MM Aux and digital inputs that feed 8 completely variable output channels. Each output channel has a 31-band equalizer available. It also features a 66-frequency electronic crossover as well as BUTTERWORTH or LINKWITZ filters with 6-24dB slopes and a digital time delay line. The user can select adjustments. That allow him or her to interact with the DSP through a remote control device called DRC.

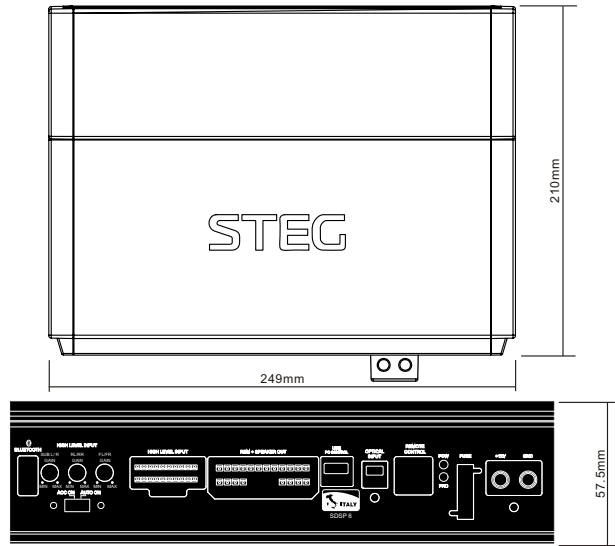
WARNING: 1-a PC provided with Windows XP, Windows Vista or Windows 7 operating system, 1.5GHz minimum. Processor speed, 1 GB RAM minimum memory and a graphics card with a minimum resolution. Of 1024x600 pixels are required to install the software and setup the DSP.
2-Before connecting you DSP, carefully read this manual. Improper connections may cause damage to The DSP or to the speakers in the car audio system.

2.PACKAGING CONTENTS

- DSP- Signal Interface Processor 
- Power supply cable Inputs/speaker output 
- 5.0m USB cable 
- Control High Level /wifi Input 
- 4 of 4.0*15 mm/8of 3.0*6mm self-tapping, Cross-head fixing screws, 4 fixing brackets. 
- CD ROM with:
 DSP 1.0 software
 This advanced manual(.pdf format)
 Test tracks 
- OPTIONAL:**
- DRC(Digital Remote Control) control panel: 
- 5.0 m DRC-AC Link cable 

3.DSP AND DRC INSTALLATION

External dimensions



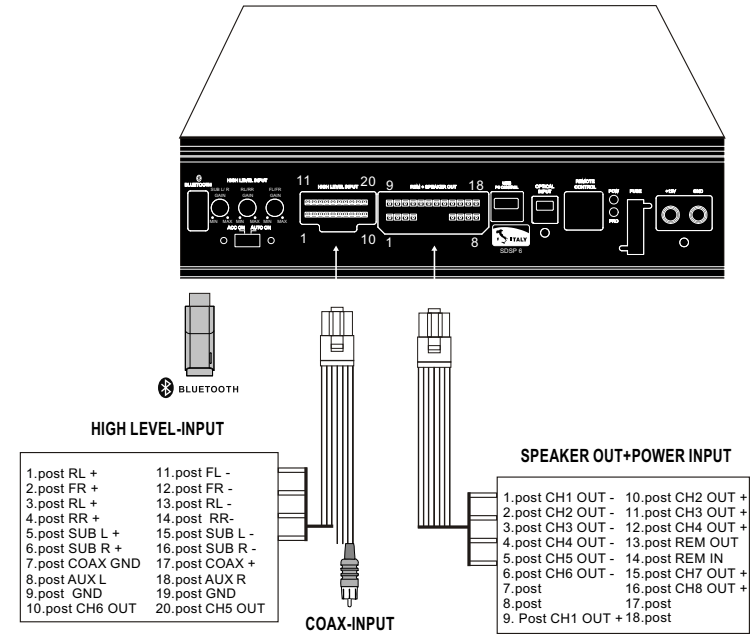
How to install



WARNING: do not use aggressive cleaning agents or abrasive cloth to clean the display. Simply use a soft cotton cloth lightly damped with water.

4.CONNECTION PANELS-DESCRIPTION

4.1 Input signals

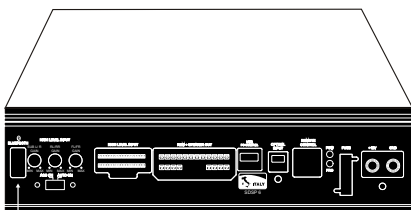


1. INPUTS;FR-FL-RR-RL,SUB R-SUB L inputs(SPEAKERS)

The DSP comes with 6 HI-LEVEL signal inputs to connect amplified signal cables coming from the main Analog source.input sensitivity is adjustable from 2 to 15V RMS.

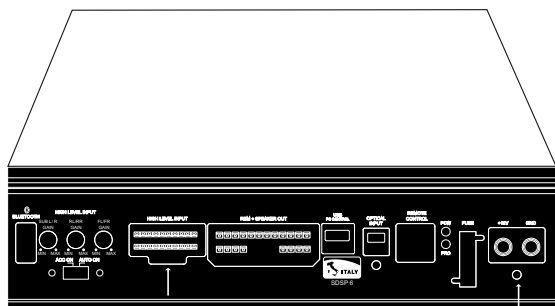
Remark: if a low-level output source (PRE OUT)with output signal equal or greater than 2 VRMS is available, you can Connect it to the high-level MASTER input(SPEAKERS). Sensitivity is increased by adjusting the IN LEVEL controls.

4.2 USB signals



USB(type B)connection plug, to connect the processor to a PC and manage its functions through the DSP 3 Software. The connection standard is USB 1.1/2.0 compatible.

4.3 Input - remote control outputs and power supply



1. POWER SUPPLY.

+12V:Positive connection terminal for car 12V power supply.

GND:Power supply negative connection terminal(GND).

WARNING:make sure the connection polarity is as indicated on the terminals.A misconnection. May result in damage to the DSP. After applying power,wait at least 10 seconds Before turning the DSP on.

2. REMOTE IN-OUT.

REM IN:input to turn on the processor remotely along with the audio signal remote Out.

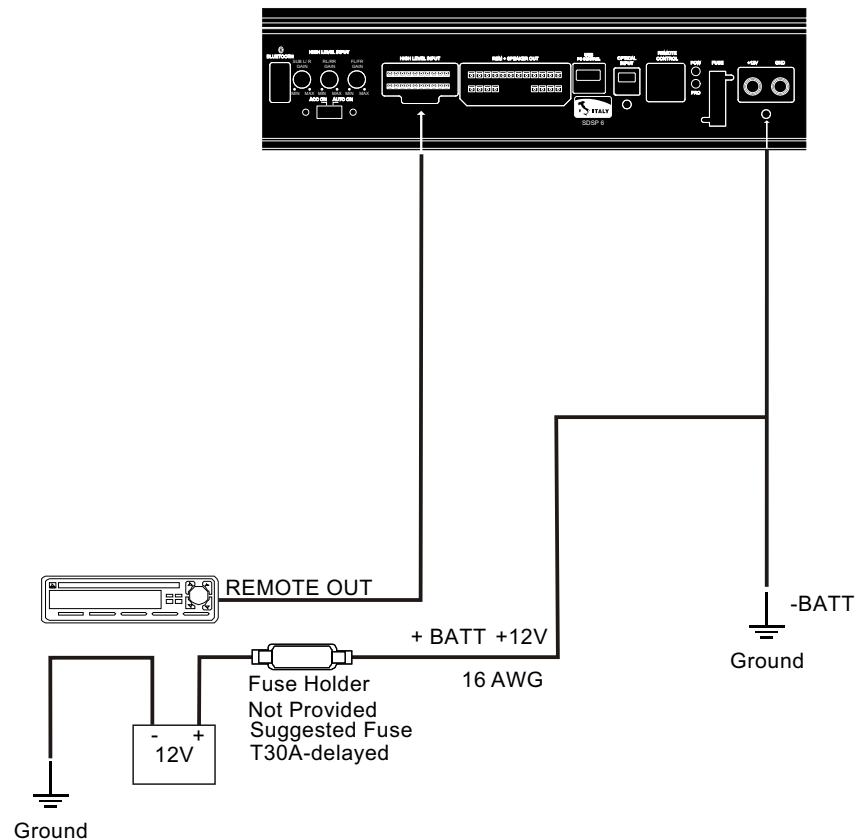
REM OUT:output to turn on other devices/amplifiers connected after the processor.

From the REMOTE-IN signal, the processor only takes 1second to supply the signal to the REM OUT output. The 130-mA output current capability can also drive an automotive relay (Making sure it does not exceed 130 mA).

5.CONNECTIONS

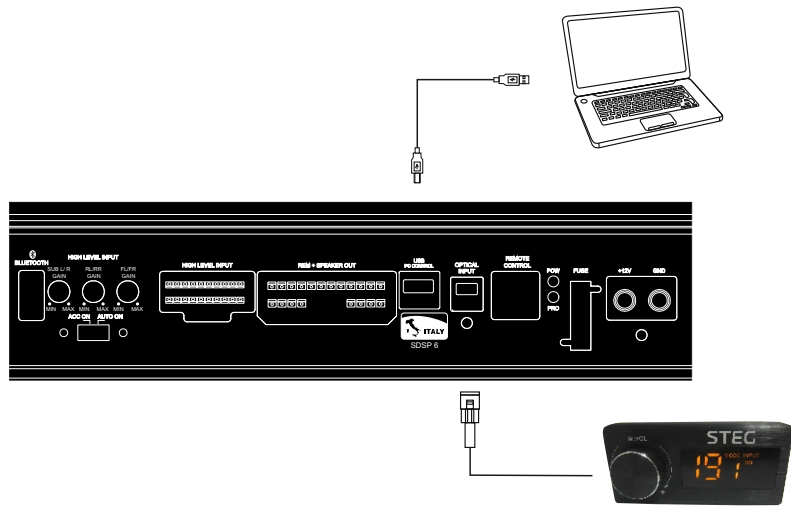
5.1 Power supply and remote turn on

WARNING: to power the device,use 1 mm²(16 AWG) cables.



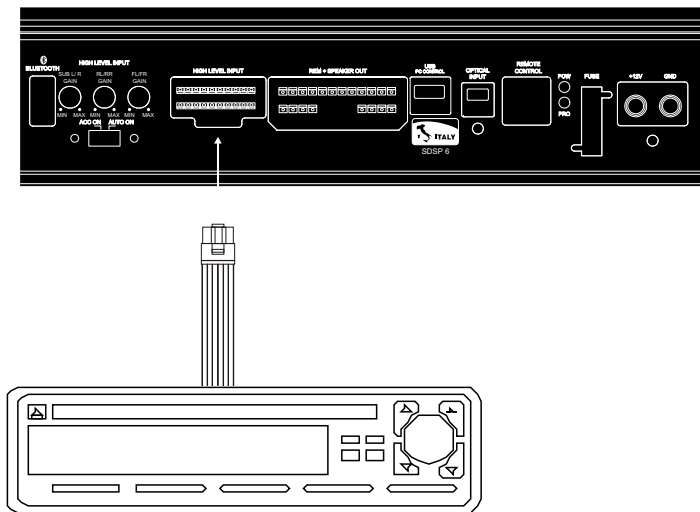
Remark: the DSP is internally protected by a Fuse-resistor soldered on its printed circuit board To replace it contact a service center. Using an External fuse is recommended, though it is not required.

5.2 Personal computer and Digital Remote Control(DRC)



5.3 High-Level input signals

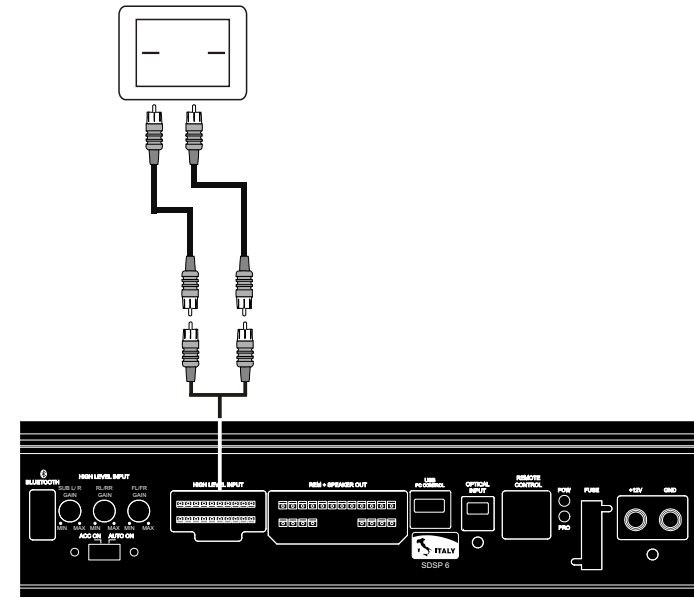
1.SPEAKERS IN HI-LEVEL STEREO FRONT+REAR+SUBWOOFER .



AMPLIFIED RADIO DECK

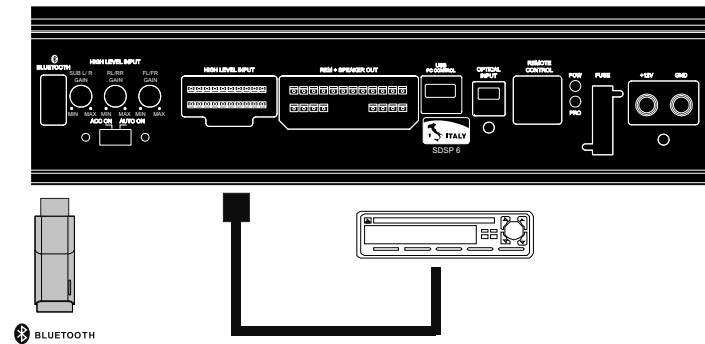
5.5 Output signals

Output to an amplifier is system .



5.5 Low-Level ,BLUETOOTH input signals

AUX IN L/R: Auxiliary analog stereo signal .
Sensitivity is adjustable from 0.6 to 5V RMS .

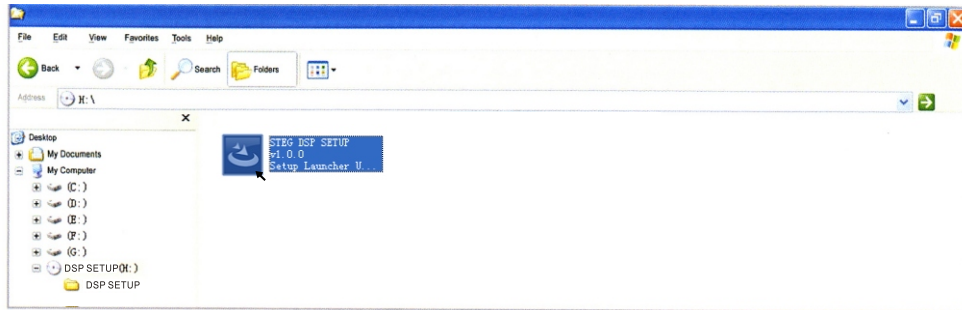


Bluetooth IN :
Insert the Bluetooth control module into theDSP .
turn on your mobile phone and find the Bluetooth control mode .
Click on the Bluetooth . When the control mode is automatically
Paired successful . Then you can play the music .
DO NOT INSERT THE USB.

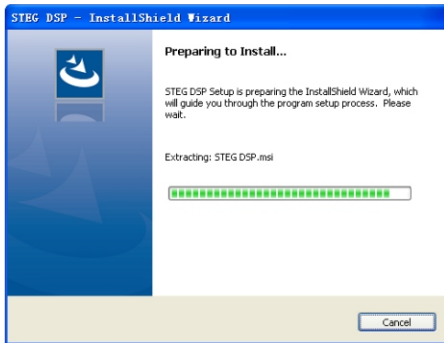
6. SOFTWARE INSTALLATION

6.1 DSP GUI installation

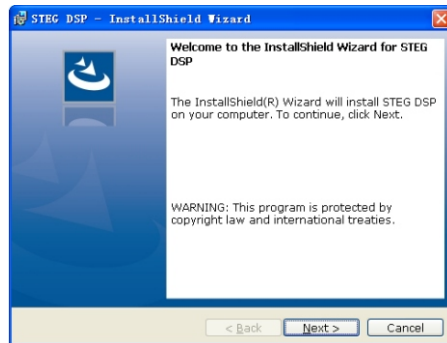
1. Insert CD, Double-Click DSP



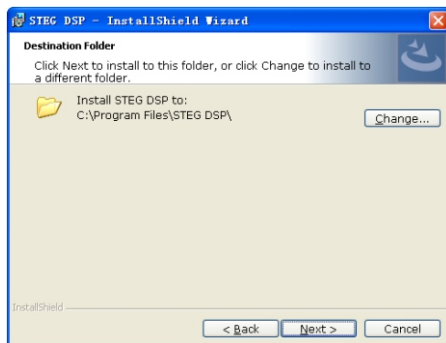
2. Wait until the process finish



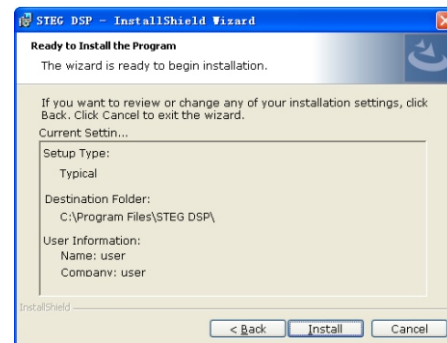
3. Click NEXT



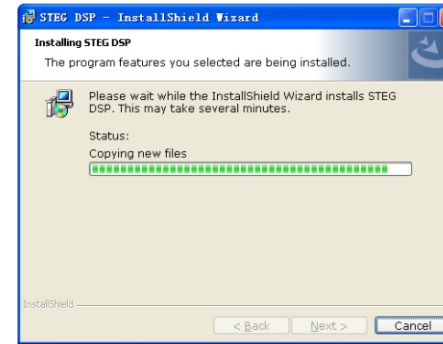
4. Click NEXT



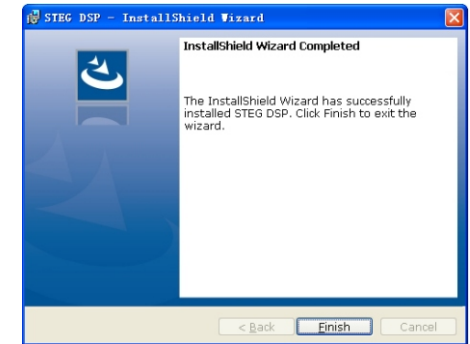
5. Set install location



6. Wait until the process finish



7. Click finish



7. GUI OPERATION INSTRUCTION

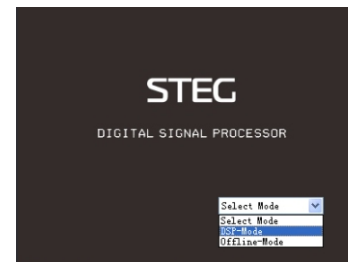
7.1 Guide to GUI after installation

1. Double - click icon of DSP-CONTROL

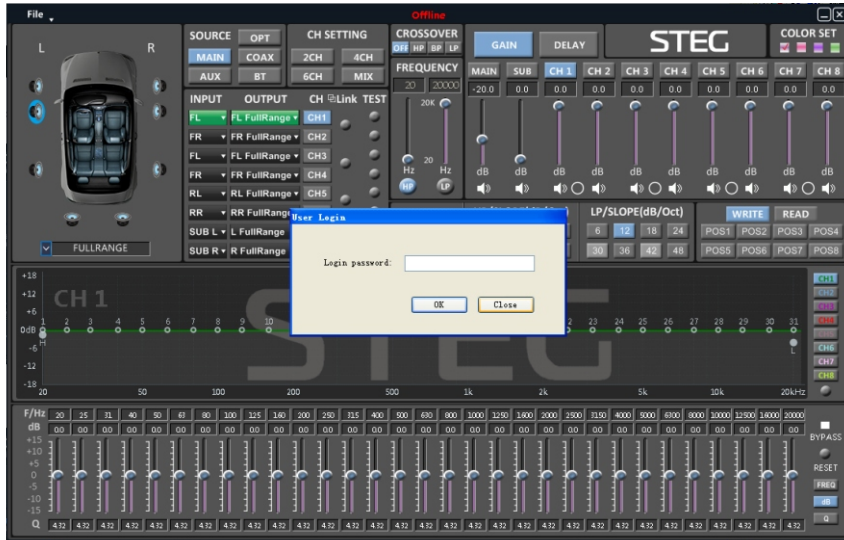


STEG DSP v1.0.0

2. DSP connection



3. Enter the GUI you long for! Now you could tone every signal details as experts do
To bring sound effect on your beloved car to a higher level.If the password has been set, You need to enter the password.



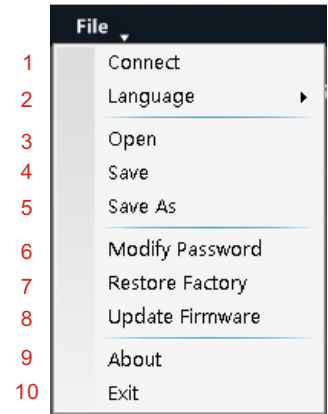
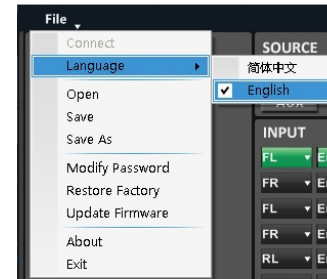
7.2 Interface introduction

1.DSP interface guidance

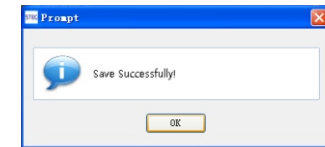
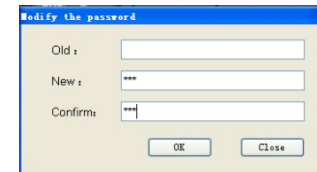


2. "FILE" MAIN MENU 1

1. Connect(connect to the DSP)
2. Language(choose you need language)



3. Open(To load preset file in PC folder)
4. Save(To save setting to PC)
5. Save as(To save another file setting to PC)
6. Modify Password



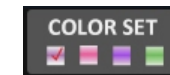
7. Restore Factory(To save preset file in DSP)
8. Update Firmware (To load preset file in DSP)
9. About
10. Exit

3. INPUT MODE.

To select different input devices.

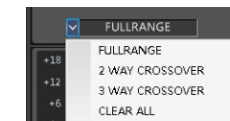


To select different colour devices.



2. CHANNEL SETING.

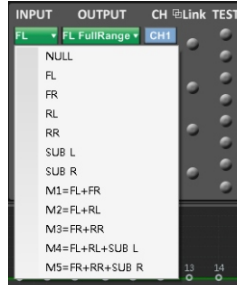
- ① OPTIONAL FULLRANGE. 2 WAY CROSSOVER. 3 WAY CROSSOVER. CLEAR ALL.



- ② CH mode(click on the default in put state). optional (2CH 4CH 6CH MIX).

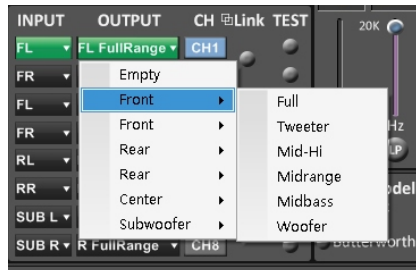


- ③ Input channel:FL. FR. FL. FR.RL. RR. SUB L. SUB R.
When you click the drop-down button, you can choose the stste of the channel input.
There is : FR. FL.RR. RL. SUB R. SUBL.M1=FL+FR.M2=FL+RL.M3=FR+RR.
M4=FL+RL+SUBL.M5=FR+RR+FUBR.

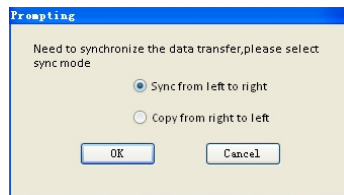
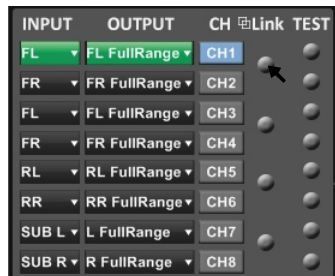


- ④ Output channel:FL FullRange.FR FullRange.RL FullRange.RR FullRange.L FullRange R FullRange

When you click the drop-down button, you can choose the stste of the channel input.
There is : Front.Rear.Center.Subwoofer and Full.Tweeter.Mid-Hi.Midrange.Midbass Woofer

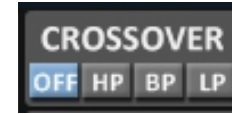


Options on the " Link " are for combine setting for Left CH and Right CH .
Options on the Left CH/right CH allow you tone each selected channel respectively.



4. CROSSOVER X-TPE.

To choose different crossover type, for example select CH selection on 3RD spot .that would locate CH you want to choose for crossover configuration .



5. CROSSOVER FREQUENCY.

Set frequency of LP/HP individually .



6. GAIN.

0--40dB is optional range for gain control kf every CH.

7. DELAY.

- 1.Auto configuration(base on 1.5 setting).
- 2.Manual configuration, change specifications in selected CH manually.



8. LP/SLOPE.

1.6dB/oct 12dB/oct 18dB/oct 24dB/oct 30dB/oct 36dB/oct. 42dB/oct 48dB/oct are available.



9. HP/SLOPE.

1.6dB/oct 12dB/oct 18dB/oct 24dB/oct 30dB/oct 36dB/oct 42dB/oct 48dB/oct are available.



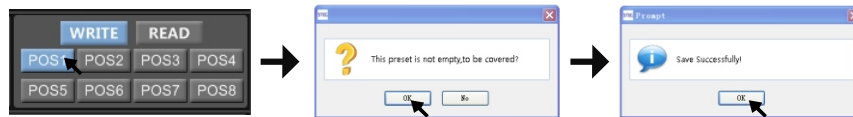
10. Filter Model.

To choose different Filter type Linkwitz Bessel Butterworth.



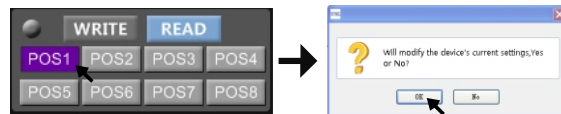
11. WRITE.

To save setting to DSP(POS1-POS8).

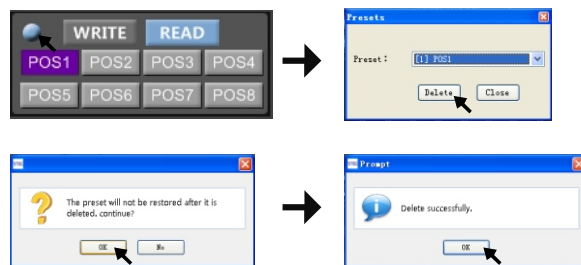


12. READ.

① To read setting from DSP(POS1-POS8).

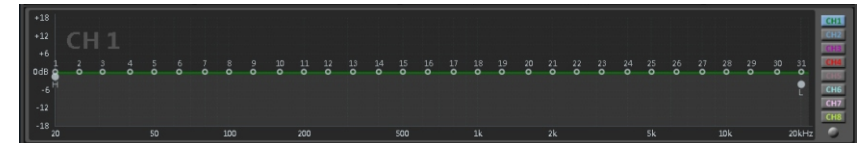


② To delete setting from DSP(POS1-POS8).



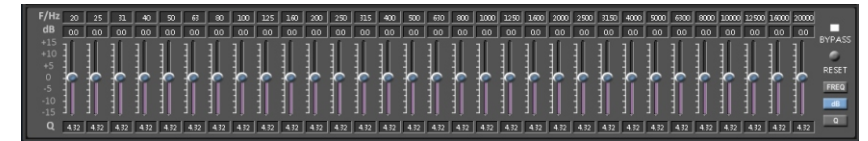
12. X-OVER ANDEQ CHARTS.

- 1.Red lines and slopes will change accordingly when HP/LP of crossover and EQ are modified.
- 2.EQ all frequency points can be move left or right.For 20Hz-20KHz can be any Regulation.



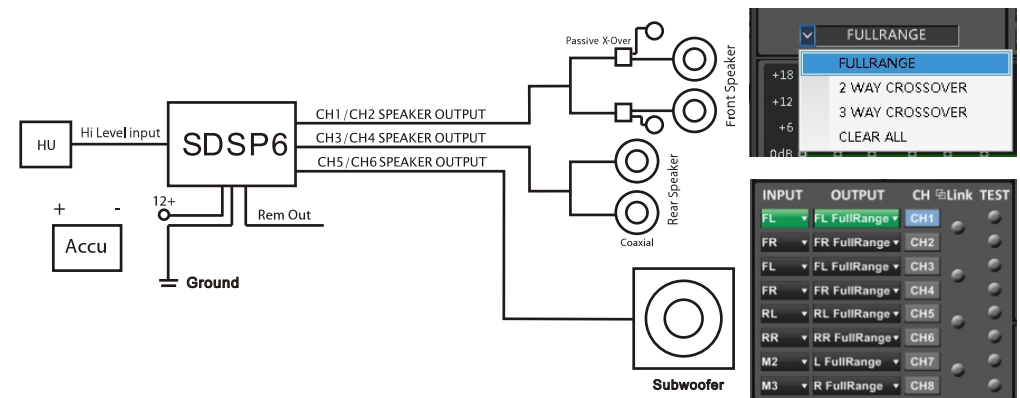
13. EQ SETTING.

Q value=1-12.

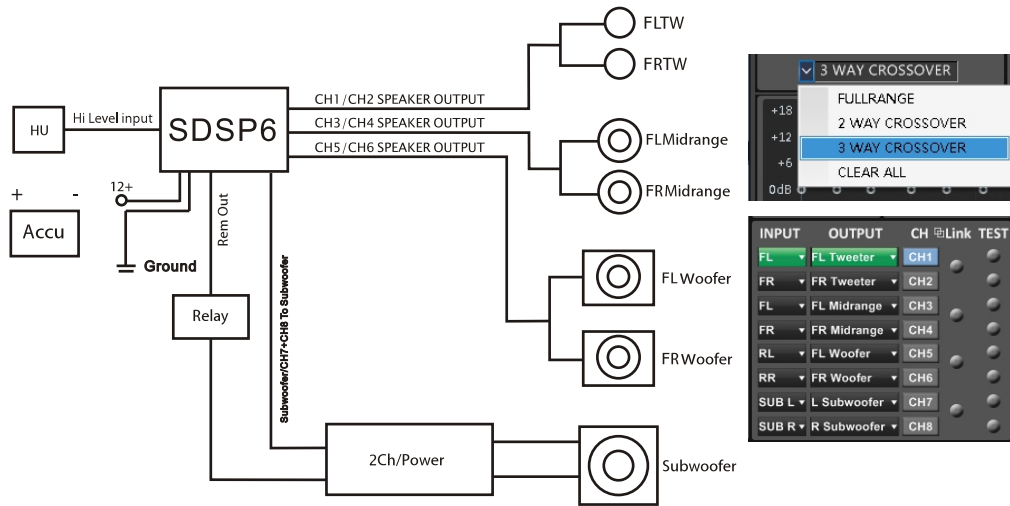


8.STAND INSTALLATION REFERENCE

8.1 5 CHANNEL STAND ALONE TREBLE MODE



8.2 3 WAY CROSSOVER TREBLE MODE



9.REMOTE INTRODUCTION



1. A.Main volume.
- B.When you press this button for a short time,It is in the "MUTE" state.And theclose "MUTE".
- C.When you press this button for a longer time(for a second) ,It will enter the menu mode .
In the "MODE" or "INPUT" flashing. You can adjust the mode which you want.
- 2.Main volume display window.
- 3.DSP mode display window(1-8).
- 4.Input display status.(CD.AUX.SPDIF.WIFI).

10.PHONE APP INTRODUCTION

10.1 Download DSPAPP and install it on your phone



Click install

Click open



1. Input Mode
To select different input devices MAIN.AUX.SPDIF.COAX.BLUETOOTH.
2. Dsp Main volume display.
3. Dsp Main volume control.
4. MODE SETUPS (1-8POS) .
5. Click on the Bluetooth.when the control mode is automatically paired successful.
Then you can play the APP .
6. Dsp subwoofer volume display.
7. Speaker mute control.

Remark: APP cannot be joined to DSP when the computer is connected to DSP